



Sit-u-Up

user instructions

Simple solutions for everyday independence

The Sit-u-Up:

- Provides adjustable back support for people who require to sleep in a more upright position.
NOTE: Do not use the Sit-u-Up when for medical reasons it is critical that an upright sleeping position is maintained (See 'WARNINGS').
- Provides assistance for those with limited upper body strength wishing to lift themselves to a reclined or sitting position.
- Can be used simply as a means of providing additional comfort.

The Sit-u-Up has been designed to be placed on a bed without the use of securing straps. Power is provided by the Mangar International Airflo compressor. PLEASE READ the separate Airflo Compressor instructions before fitting and using your Sit-u-Up.

Standard Contents

- 1 x Sit-u-Up
- 1 x Spreader Bar
- 1 x Headrest
- 1 x User Instructions.
- 1 x Overlay (inc. foam, quilt and cover)

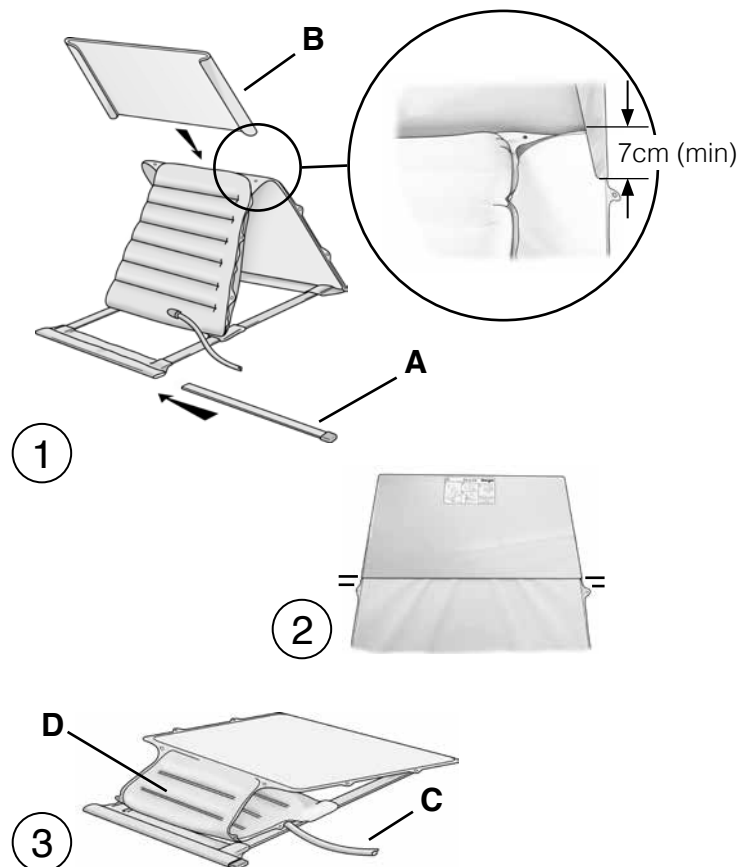
Fitting

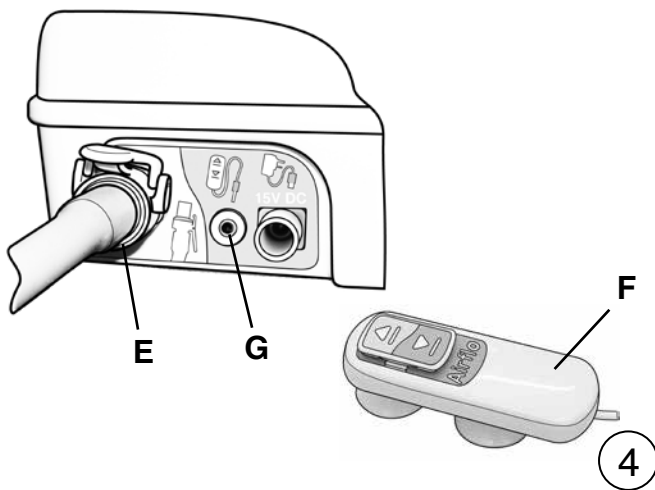
- Insert the spreader bar (**A** fig.1).
- Slide the headrest (**B** fig.1) as far down the backrest as it will go, ensuring that the bottom edge of the headrest is a minimum of 7cm down from the top of the backrest (detail fig. 1) and an equal distance from the tab on each side as indicated (Fig. 2).
- Place the Sit-u-Up on the bed with the spreader bar positioned against the headboard. Lead the air hose (**C** fig.3), to the side of the bed where the Airflo compressor is to be placed and fold the strut (**D** fig.3) towards the headboard.

FOR YOUR SAFETY: Ensure that the Airflo compressor, air hose and hand control lead are kept tidy.

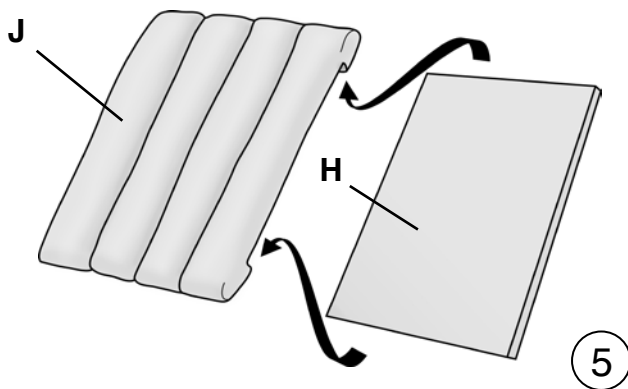


- Ensure that you have read and fully understand these and the separate Airflo user instructions before using the equipment.
- Where a medical condition dictates that an upright sleeping position is critical, the Sit-u-Up must not be used as an air leak in the system would cause the backrest to loose height over the course of a night.
- Ensure that when in use, the Airflo, the hand control lead and air hose are laid out in such a way as to avoid any risk of tripping or strangulation.
- Do Not use any other air supply to inflate the Sit-u-Up.
- The Sit-u-Up should only be used for it's stated purpose and should not be modified in any way.



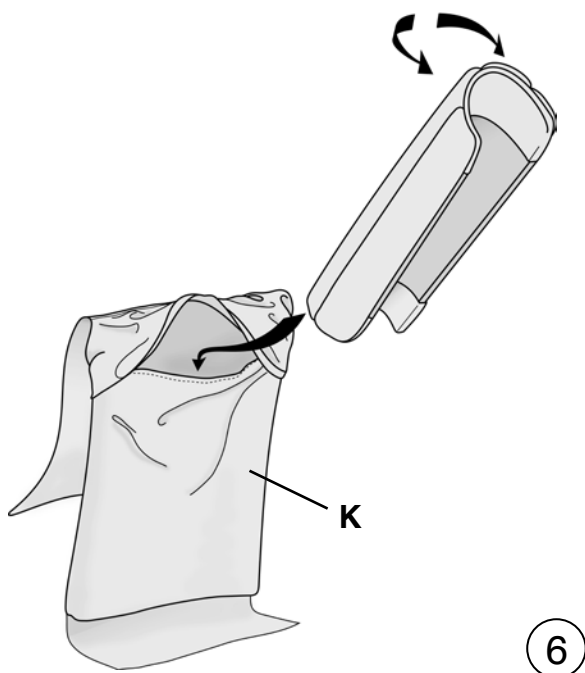


- Connect the air hose from the Handy Pillow Lift to the compressor air outlet socket (**E** fig. 4).
- Connect the Push Button Hand Control (**F**) to the socket (**G**).
- Place the Airflo by the side or under the bed, in an out of the way position.
- Inflate the Sit-u-Up by pressing 'up' ▲ on the hand control (see separate Airflo compressor instructions).



Assembling the overlay

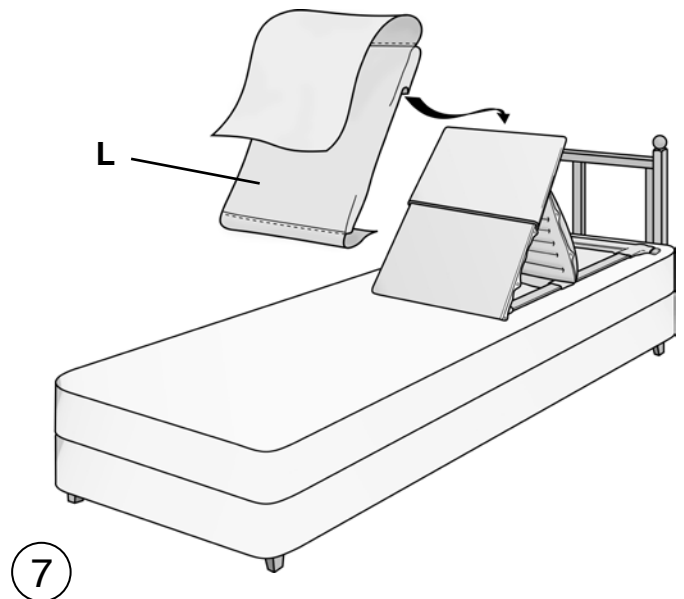
- Insert the foam (**H** Fig.5) into the quilt (**J**) as indicated.



- Fold the quilt and foam as indicated (Fig.6) and insert them into the cover (**K**).

Sit-u-Up

- Fit the assembled overlay (**L** fig.7) to the Sit-u-Up by sliding it over the top of the headrest.
- Tuck the lower flap (**M** fig.8) underneath the Sit-u-Up.
- Position your pillow on the Sit-u-Up as indicated (fig.8) and wrap the flap (**N**) completely around the pillow to hold it in place.



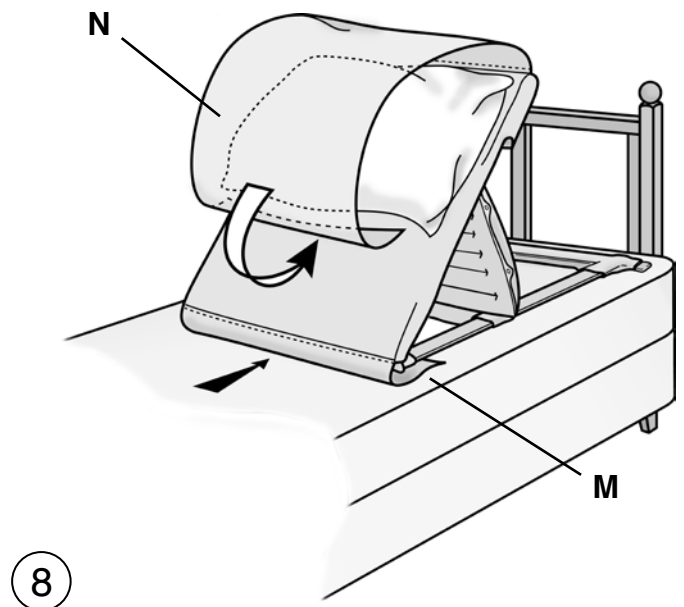
Operating

- To raise the Sit-u-Up, press 'up' ▲ on the hand control. Release the button to stop at any point.
- To lower the Sit-u-Up, press 'down' ▼ on the hand control.

Maintenance

Other than routine cleaning and disinfecting, the Sit-u-Up is maintenance free.

We recommend that a thorough examination of the Sit-u-Up is carried out regularly (not to exceed 12 months). Please contact our Customer Service Department for further details or contact your local supplier (**See page 6 for further information**).



Routine Cleaning

Remove the overlay and inflate the Sit-u-Up. Sponge clean with a detergent solution and dry thoroughly. **Do not dry using hot air.**

The overlay cover can be machine washed up to 40°C; low heat tumble dried and medium heat ironed. Do Not dry clean or use bleach.

The quilt can be machine washed up to 40°C and tumble dried. **Do not dry clean.**

The foam pad can be cleaned with a general purpose detergent and water using a clean disposable cloth. Dry using disposable paper towels and allow to dry thoroughly before inserting back into quilt.

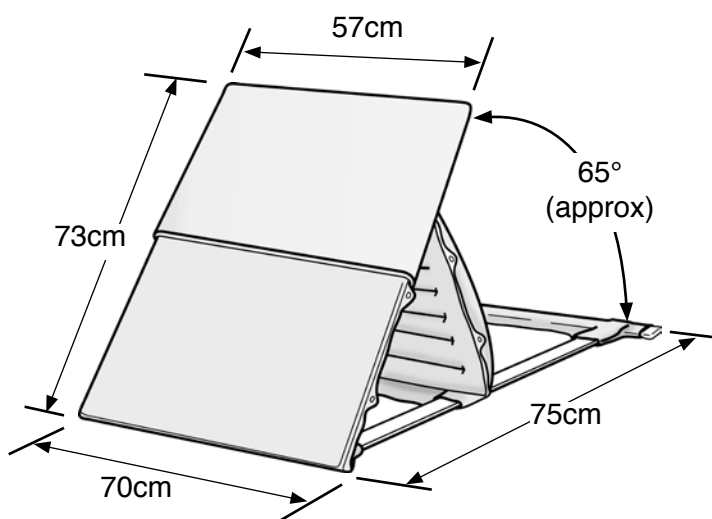
Disinfecting

The overlay should be removed and the Sit-u-Up fully inflated. The Sit-u-Up should be pre-cleaned by washing with detergent and water and then disinfected using either buffered hypochlorite (such as 'Milton' solution) or a hard surface alcohol impregnated wipe. **Do not dry using hot air.**

Clean the foam as in 'Routine Cleaning'. Prepare a 1,000 p.p.m. solution of Chlor-Clean and wipe over the foam with a clean disposable cloth. If a white film is left on the foam, wipe over with a disposable cloth rinsed in clean water. Allow to dry thoroughly before inserting back into quilt.

Storage

Ensure that the Sit-u-Up is thoroughly dry before storing. Store deflated in a dry place. Keep these instructions in a safe place for future reference.



Specifications

Rated Load:	150kg (24st)
(Use with heavier persons will not damage the product, but full lift may not be achieved)	
Weight:	4.8kg
Air hose length:	1.8m
Maximum inlet pressure:	0,35 bar (5psi)
Max. temperature:	50°C

Warranty

The guarantee is given against defects in material and workmanship and comprises piece, parts and labour. The guarantee is not valid in the case of fair wear and tear, wilful damage, common neglect, misuse or unauthorised alteration or repair by unqualified persons.

The following statements do not affect the consumer's statutory rights. This product is sold on the understanding that in the event of any defect of manufacture or material appearing within the warranty period, the defect will be rectified free of charge providing that:

- (a) Reasonable evidence is provided (e.g. purchase invoice, delivery note) that the claim is being made within the warranty period.
- (b) The defect is not attributable to accidental damage (either in transit or otherwise), misuse or unauthorised repair.

Sit-u-Up serial number:
Date of purchase:
Invoice/Delivery note number:

We strive to provide our customers with reliable and durable products of the highest quality. In addition to our standard warranty, and for added peace of mind, our Customer Service Department offers an **Annual Service and Clean package**.

To find out more about this service please call our Customer Service Department on **Freephone 0800 2800 485**.

Mangar International reserves the right to alter product specifications and/or any of the information contained within this document without notice.

DECLARATION OF CONFORMITY

This is to certify that:-

The Sit-u-Up HV0032

complies with:-

*The requirements for Class 1 devices of the Medical Devices
Directive 93/42/EEC as amended by 2007/47/EC*

Signed:



Date: October 2009

A. Barker Managing Director

Mangar International
Presteigne, Powys, Wales, UK. LD8 2UF
tel: +44 (0)1544 267674
fax: +44 (0)1544 260287
headoffice@mangar.co.uk
www.mangarinternational.co.uk

Mangar
INTERNATIONAL



Simple solutions for everyday independence

Mangar
INTERNATIONAL

Mangar International

Presteigne, Powys, Wales, LD8 2UF
United Kingdom

tel: +44 (0)1544 267674

fax: +44 (0)1544 260287

e-mail: sales@mangar.co.uk

www.mangar.co.uk

www.mangarhealth.com