

PAL® Series



Since its introduction in 1997, the PAL (Portable Aquatic Lift) has become the industry standard for fixed portable swimming pool access. The fixed portable, free-standing PAL is the perfect accessory for commercial and hospitality pools.

- Third-party tested & verified ADA compliant
- 300 lb/136 kg lifting capacity
- Easy to move by one person
- LiftOperator® Intelligent Control includes 24 Volt rechargeable battery
- 240° rotation helps ensure a safe transfer
- Powder-coated stainless steel and aluminum construction



Lift Color



Due to printing technology actual color may differ.

PAL variations include:

- Hi/Lo – A variation of the PAL useful for facilities that have both in-ground pools and raised spas.
- Spa – Designed for above ground pools and raised spas.

Model No.	Description	Shipping – (Class 85)			
		Weight	Length	Width	Height
200-0000	PAL	1,195 lbs	40"	48"	60"
250-0000	PAL Hi/Lo	1,195 lbs	40"	48"	60"
275-0000	PAL Spa	1,195 lbs	40"	48"	60"
290-0000	PAL California Package*	1,245 lbs	40"	48"	60"
200-0005	PAL with armrests	1,195 lbs	40"	48"	60"
250-0005	PAL Hi/Lo with armrests	1,195 lbs	40"	48"	60"
275-0005	PAL Spa with armrests	1,195 lbs	40"	48"	60"

Notes:

- Includes battery, charger, battery console cover, water-resistant hand control, footrest, seatbelt assembly and Secure-it-Kit
- To order a lift with an Activation Key (for LiftOperator), add a K to the end of the part number
- * California package includes arm rests, deck cover and spineboard attachment

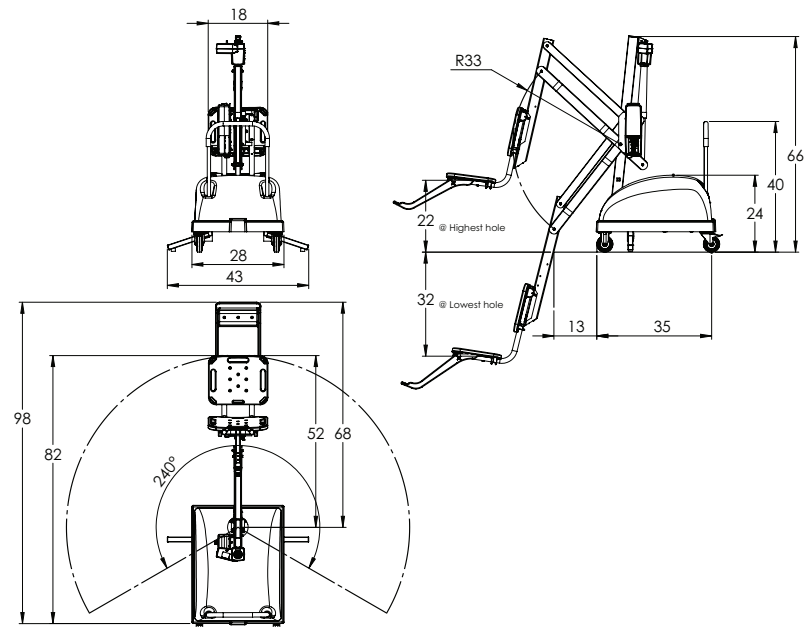
Parts & Accessories:

- 170-1000 Arm Rest Assembly
- 920-5000 PAL Series Cover
- 500-1000 Spineboard Attachment
- 1001495 Battery
- 900-2000 Stability Vest
- 900-4000 Seat Pad
- 200-1090A PAL Secure-It Kit
- 970-0000 Seat Saver Cover

Secure-It Kit



200-1090A



A completed Deck Profile form is required with your pool lift order.

