

Top End® T-5™ 7000 Series Tennis Chair

Price List and Order Form

Effective September 30, 2011 Revised January 1, 2015

For accuracy of ordering, please fax order to Top End at 727-522-1007 or e-mail to TopEndOrders@invacare.com

For questions call 800-532-8677 or 727-522-8677.

To order Literature: 800-828-6282

www.topendwheelchair.com



Provider Name _____ Date _____ Top End Job Number _____
 Account # _____ P.O. # _____ Phone # _____ Fax # _____
 Address _____ City _____ State _____ Zip Code _____
Provider Primary Contact: _____ **Email:** _____ **Phone No** _____
 Athlete Name _____ Email _____ Phone No _____
 Address _____ City _____ State _____ Zip Code _____

Indicate: Order or CAD or Quote **Ship order to:** Provider Customer **Order will ship to Provider unless otherwise noted.**

RACE* 101,102,103 CAD Drawings (see page 2) 125.00-225.00
PO required _____ **E-mail address:** _____

T57 Top End T-5 7000 Series Tennis Chair 2,625.00
 TER61 Heavy Duty Option (weight limit 350lbs) 500.00

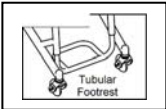
1. SEAT WIDTH 12" 12.5" 13" 13.5" 14" 14.5" 15" 15.5"
16" 16.5" 17" 17.5" 18" 18.5" 19" 19.5" 20" 20.5" 21"
 TER1 Tapered seat width (maximum difference = 4") 125.00
 Rear Seat Width: _____ Front Seat Width: _____

2. SEAT DEPTH (Upholstery): 12" 13" 14" 15" 16" 17" 18" 19"

3. EXTRA FRAME DEPTH: Standard = 0": 1" 1½" 2"

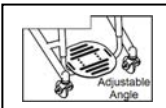
4. FOOTREST OPTIONS: (CHOOSE ONLY ONE FOOTREST)

Standard: Tubular Footrest (adjustable height)



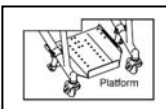
Footrest Width: _____ Standard = Seat Width minus (-) 6"
Footrest Height: (Top) to Floor: _____ Range: 1.0" - 5.5"
Front Frame Angle: 80° 85° 90° 100°
 TER10 Plastic footrest cover 75.00
 TER89 Carbon fiber footrest cover 125.00
 TER124 Click Strap upgrade 75.00

TER86 Adjustable Angle Footplate (adj. ht. and angle) ... 125.00



Footrest Width: _____ Standard = Seat Width minus (-) 6"
Footrest Height: (Top) to Floor: _____ Range: 1.0" - 5.5"
 with risers 2" 4" (for desired Footrest Heights over 5.5")
Front Frame Angle: 80° 85° 90° 100°
 TER124 Click Strap upgrade 75.00
 TER127 Toe Clips 60.00

TER187 Platform Footrest 200.00

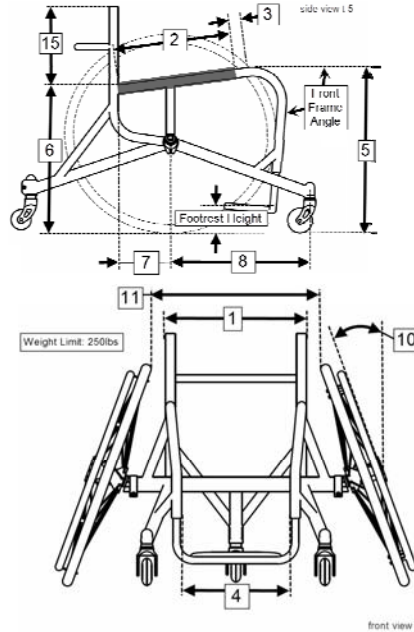


(Adjustable Height, Forward/Rearward, and Angle)
 Platform Plate -or- Oval Plate
 TER124 Click Strap upgrade 75.00

5. SEAT HEIGHT FRONT: 14.5" 15" 15.5" 16" 16.5" 17"
17.5" 18" 18.5" 19" 19.5" 20" 20.5" 21"

6. SEAT HEIGHT REAR: 14.5" 15" 15.5" 16" 16.5" 17"
17.5" 18" 18.5" 19" 19.5" 20" 20.5" 21"

TER31 Solid Seat w/ welded rigidizer bars for aluminum 175.00



7. CENTER OF GRAVITY: FIXED OR ADJUSTABLE (see 7B-page 2)

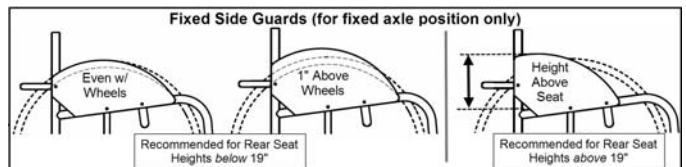
7A. FIXED CENTER OF GRAVITY: AXLE POSITION.....Standard

Select Fixed Center of Gravity Position:
3" 3.5" 4" 4.5" 5" 5.5" 6" Other _____

SIDE GUARDS OPTIONS FOR FIXED COG:

- TER95 Clamp-On Fixed aluminum side guards 125.00
- TER20 Fixed aluminum side guards 175.00
 Even w/wheels 1" Above wheels Height above seat ____ (6" std)
- TER83 Fixed carbon fiber side guards 250.00
 Even w/wheels 1" Above wheels Height above seat ____ (6" std)
(Incompatible with TER1 Tapered Seat, see item #1)
- TER130 Welded aluminum tube side guards w/ welded aluminum panel \$600.00
 Even w/wheels 1" Above wheels Height above seat ____ (6" std)

NOTE: for tall seat heights choose height above seat
 (Standard Distance, inside-to-inside, between welded tubes = Seat Width)

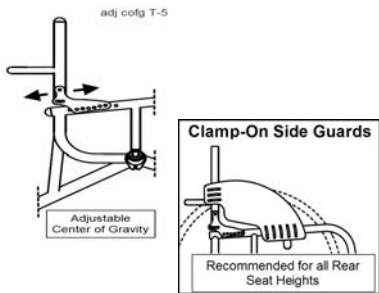


Top End® T-5™ Tennis Elite Chair

- 7B. ADJUSTABLE CENTER OF GRAVITY OPTION.....No Charge**
 Adjustable Center of Gravity Range (choose one) : 2" to 4" 3" to 5" 4" to 6"
 (Adj. Center of Gravity Backrest is made of 6061 Aluminum and is bolted to the frame/recommended range is 3"-5")

SIDE GUARDS FOR ADJUSTABLE CENTER OF GRAVITY:

- TER95** Clamp-On Fixed aluminum side guards..... 125.00



Wheel Base Guide			
Seat Depth	14"	15", 16"	17", 18"
Recommended Wheel Base	15" (Short)	17" (Med)	19" (Long)

wheel base guide

- 8. WHEEL BASE:** 15" 16" 17" 18" 19" Other _____

9. ANTI-TIP/5™ WHEEL: Choose one:

- Fixed** **Standard**
 Omit No Charge
 TER102 Telescoping..... 200.00

- 10. CAMBER:** 12° 15° 18° 20°std. (if not chosen, 20 is default)

11. TIRE-TO-TIRE DISTANCE (measured at inside, top of tire):

- Standard (i.e. Seat Width + 2.5" = 17.5") Custom _____

- 12. WHEEL TYPE: Build for:** Standard or Spinergy

- 13. WHEEL SIZE:** 24"(540) 25"(559) 26"(590) 700c

Wheel Size Guide				
Rear Seat Height	16.0" or less	16.5" - 19.0"	19.0" - 21.0"	20"+
Recommended Wheel Size	24"(540)	25"(559)	26"(590)	700c

wheel size guide

14. WHEELS/AXLES/TIRES/PUSHRIMS:

Sun® High Performance Wheels..... Standard

- TER131** Spinergy SLX (4mm) upgrade (24 spokes)..... 895.00
Spoke color: (choose one) Black Yellow White Blue Red
 (If color is not chosen, spokes will be black)

- TER143** Sun® Equalizer Sport Wheel Upgrade
 (48 spoke, cross lacing pattern with 12 tab pushrims for 25", 26" & 700c)
 (36 spoke, cross lacing pattern with 6 tab pushrim for 24")..... 250.00

TIRES:

Primo high pressure clincher Standard

- TER101** Kenda® Tires: Red or Yellow 75.00

AXLES:

Quick release Standard

- TER76** Titanium axles..... 150.00
 TED27 Quad Release Axles..... 125.00

PUSHRIM UPGRADES, (Standard = hard anodized aluminum)

Standard mount Standard

- Close mount NC
 TER40 Cut Tabs Aluminum pushrim (close mount only)..... 40.00
 TERT140 Cut Tabs Titanium pushrim (close mount only)..... 80.00
 TER75 Titanium pushrims upgrade 600.00
 TER08 Coated Pushrims..... 100.00

16. BACK HEIGHT (choose fixed or adjustable):

- Fixed Height:** 8" 8.5" 9" 9.5" 10" 10.5" 11" 11.5"
 12" 12.5" 13" 13.5" 14" 14.5" 15" 15.5"

Adjustable Height Range:

- Short 9" to 11" Low 10" to 14" Med 14" to 18"

SAFETY AND COMFORT OPTIONS:

Calf Strap Standard

- TER14** Cushion, soft 2" 3"..... 75.00
 TER21 Spoke Guards: Black or Clear 75.00
 (If color not chosen, black will be sent)
 TER37 Frame protectors – front 40.00
 TER35 Frame protector – rear 20.00
 XLT33 Alignment gauge 75.00
 TER126 Click strap large (pad length ~12")..... 86.00
 TER125 Click strap medium (pad length ~10")..... 80.00
 TER124 Click strap small (pad length ~8")..... 75.00
 TER128 Metal O-Ring positioning belt..... 60.00
 RACE22* Top End T-Shirt, L XL 10.00

* No discount item.

UPHOLSTERY:

Adjustable Tension Seat Upholstery Standard

Adjustable Tension Back Upholstery Standard

- TER149** Back upholstery upgrade: 3" leather flap with Aluminum plugs..... \$100.00

UPHOLSTERY COLOR:

Black..... Standard

- UPH1 Woodland Camouflage..... 100.00
 UPH2 Digital Desert Camouflage..... 100.00

FRAME COLORS:

CONTEMPORARY COLORS

- Wet Black White Snow Silver Metallic
 Stealth Black

WAY COOL COLORS

- Royal Blue Midnight Blue Grasshopper Green
 Electric Blueberry

TOO HOT COLORS

- Tangerine Red Raspberry Red Grape Madness
 Safety Yellow Orange Bubblegum Pink

NO PAINT OPTION

- Buffed Aluminum (Raw)

CAD drawings are computer aided designs that translate the measurements to a 3D preview. Our experienced draftsman completes each CAD request and will e-mail for final approval. The charge for RACE101 is \$125 with standard order form selections, RACE102 is \$175 including 1 custom request and RACE103 is \$225 including 2 custom requests. A separate purchase order is required to begin a CAD and another purchase order is needed to order the product.



Invacare Corporation
TOP END
 Sports and Recreation Products
 4501 63rd Circle North
 Pinellas Park, FL USA
 33781-5914

www.invacare.com

All rights reserved. Trademarks are identified by the symbols ™ and ®. All trademarks are owned by or licensed to Invacare Corporation unless otherwise noted.
 Spinergy is a registered trademark of Spinergy, Inc. Sun is a registered trademark of Sun Components Inc.
 Kenda is a registered trademark of Kenda Rubber Industrial Co. Ltd.
 Specifications and prices are subject to change without notification.
 ©2015 Invacare Corporation