



The Total Solution for Pool and Spa Access

EZ POOL LIFT™ & POWER EZ POOL LIFT™

Installation, Assembly and Operation Instructions 400 lb. (181 kg.) MAXIMUM LIFTING CAPACITIES

MANDATORY – LEAVE THIS MANUAL WITH LIFT OWNER



- WARNING -

IMPORTANT SAFETY INSTRUCTIONS

- 1. READ AND FOLLOW ALL INSTRUCTIONS. LIFT SAFETY CAN ONLY BE ENSURED IF THE LIFT IS INSTALLED AND OPERATED PROPERLY – ACCORDING TO THESE INSTRUCTIONS.**
- 2. TO REDUCE THE RISK OF INJURY, DO NOT PERMIT CHILDREN TO USE THIS PRODUCT UNLESS THEY ARE CLOSELY SUPERVISED AT ALL TIMES.**
- 3. DO NOT PERMIT CHILDREN TO PLAY ON OR AROUND THIS PRODUCT.**
- 4. NEVER APPLY DIRECT WATER PRESSURE TO THE ELECTRONIC COMPONENTS.**
- 5. SAVE A COPY OF THESE INSTRUCTIONS IN A SAFE AND EASILY ACCESSIBLE PLACE.**

Aqua Creek Products
9889 GARRY MORE LANE
Missoula, MT 59808

Toll Free: 1-888-687-3552 • Fax: 1-406-549-2602 • Web: www.aquacreek.com

TABLE OF CONTENTS

EZ Lift™ and Power EZ Pool Lift™ Parts Lists	3
Retro-fit anchor Installation Instructions	4
New construction anchor installation instructions	6
EZ (Manual) Assembly Instructions	7
EZ (Manual) Operating Instructions	9
Power EZ Assembly Instructions	10
Power EZ Operating Instructions	12
24-volt battery and charger installation and operation	13
24-volt battery trouble shooting guide	15
Safety, cleaning and maintenance	18
EZ (Manual) and Power EZ Pool Lift Detailed Parts List	19
Warranty	20

THE EZ LIFT™

- READ CAREFULLY-

Check entire box and inside all packaging materials for parts. Before beginning assembly, read the instructions and identify parts using the figures and parts lists in this document. It is critical that all parts be carefully inspected by the installer prior to installation to ensure that no damage occurred in transit and that a damaged part is not used. If any damage occurred in transit or you are missing parts, notify Aqua Creek Products Immediately! Failure to notify Aqua Creek of damaged or missing parts within 3 days of receipt of shipment may affect your ability to receive replacement parts. Proper installation cannot be overstressed – improper installations will void the warranty and may affect the safety of the user.

The EZ Lift™ and Power EZ Lift™ arrive partially assembled in multiple boxes. Begin by removing all parts from the boxes and locating the parts for your lift in the parts lists below. Refer to the parts breakdown drawings in the back of this manual for assistance.

PARTS LIST – EZ POOL LIFT™

BOX "A" CONTENTS (ANCHOR INCLUDED)		
ITEM #	QTY.	DESCRIPTION
1	1	BOOM/ARM ASSEMBLY
2	1	RAM ASSEMBLY
3	1	ANCHOR (IF ORDERED WITH LIFT)
5	1	HARDWARE BAG

HARDWARE BAG		
ITEM #	QTY	DESCRIPTION
1	1	3/8" X 1-3/4" S.S. HEX BOLT
2	1	3/8" X 1-1/2" S.S. HEX BOLT
3	4	3/8" S.S. FLAT WASHER
4	2	3/8" S.S. NYLOCK NUT

BOX "B" CONTENTS (ANCHOR INCLUDED)		
ITEM #	QTY	DESCRIPTION
1	1	EZ SLING
2	1	EZ CHAIN SET
3	1	EZ HANGER
4	1	EZ SLING BARS

PARTS LIST – POWER EZ LIFT™

BOX "A" CONTENTS (ANCHOR INCLUDED)		
ITEM #	QTY.	DESCRIPTION
1	1	POWER EZ BOOM/ARM ASSEMBLY
2	1	ANCHOR (IF ORDERED WITH LIFT)

HARDWARE BAG		
ITEM #	QTY	DESCRIPTION
1	2	3/8" X 1-3/4" S.S. HEX BOLT
2	2	3/8" S.S. NYLOCK NUT
3	4	3/8" S.S. FLAT WASHER
4	1	#10-24 – 3/8" S.S. BUTTON HEAD

BOX "B" CONTENTS (ANCHOR INCLUDED)		
ITEM #	QTY	DESCRIPTION
1	1	24 V CONTROL BOX
2	1	24 V BATTERY CHARGER
3	1	HARDWARE BAG
4	1	HAND CONTROLLER
5	1	24V BATTERY
6	1	EZ SLING
7	1	EZ CHAIN SET
8	1	EZ HANGER
9	4	EZ SLING BARS
10	1	LA-34 LINEAR ACTUATOR

EZ POOL LIFT™ ANCHOR INSTALLATION

NOTE: The EZ Pool Lift™ and Power EZ Pool Lift™ come standard with a 6" deep anchor socket that is installed into a concrete deck. Anchor options include a surface mount anchor and a wood deck anchor system both purchased separately. The EZ Pool Lift™ and Power EZ Pool Lift™ standard 6" anchor system can be installed in an existing pool deck (Retro-fit installation) or when pouring a new concrete pool deck (New construction installation). If the anchor has already been installed you can move on to the assembly section of this manual that is appropriate to the lift you purchased.

EZ / POWER EZ RETRO-FIT ANCHOR INSTALLATION

NOTE: The concrete deck around the anchor system should be a minimum of 8" thick and should be reinforced with #4 reinforcing bars spaced on 10" centers in each direction. The total concrete pad area should be at least 60" wide (measured away from the pool edge) and 60" long (parallel with the pool edge).

REQUIRED TOOLS (Core Drilling Method)

Tape Measure	Core Drill
4" [10 cm] Core Drill Bit	Electrical tape
2-part Epoxy or Hydraulic Cement	Small Carpenters Level
Felt Tip Marking Pen	Vacuum or compressed air source

STEP 1:

Determine the best location for the lift. Be sure to mount the lift at a location that provides at least 48" [122 cm] from deck level to the bottom of the pool. Make sure the location includes enough clear deck space to easily transfer into the lift seat. Keep in mind this lift will require assistance from another person to operate and you should locate it in an area that can accommodate another person. The lift should also be located so as to provide at least 6' [1.8 m] of unobstructed deck to each side of the lift to accommodate easy maneuvering of the lift over the water and back.

STEP 2:

Locate the concrete anchor socket that came with your lift. Be careful to not lose the protective cap on the anchor. This will be used to keep dirt and debris out of the socket when the lift is not installed in the anchor.

STEP 3:

The setback to the center of the anchor must be no less than 12" [30.5 cm] and more than 20" [51 cm] from the pool wall. The anchor location must also be at least 6" [15 cm] from any control joint or edge of concrete slab. Measure the location out using your tape measure and marking pen. (Reference the drawing on the next page for details).



STEP 4:

Core drill at least a 4" [10 cm] diameter hole at the desired location for the lift anchor socket. The hole will need to be at least 7" [18 cm] deep to allow for the grounding lug which protrudes from the bottom of the anchor. Depending on the thickness of your concrete slab, you may drill completely through the slab and into the underlying dirt. If you have drilled all the way through your deck you may need to saw cut the deck and pour a new footing according to the deck requirements at the beginning of this section.



TIP: Use the electrical tape to make a mark on your drill bit at 7" [18 cm] as a depth mark to tell you when to stop drilling.

STEP 5:

Clean out the hole and make sure your hole is deep enough to allow the anchor to be flush with the finished deck surface. If you have drilled completely through the deck you can remove some of the dirt under the slab to create a "pocket" under the slab to be filled with epoxy or hydraulic cement if needed.

STEP 6:

Ground the anchor according to your local code requirements. (This may require additional drilling and/or other tools).

STEP 7:

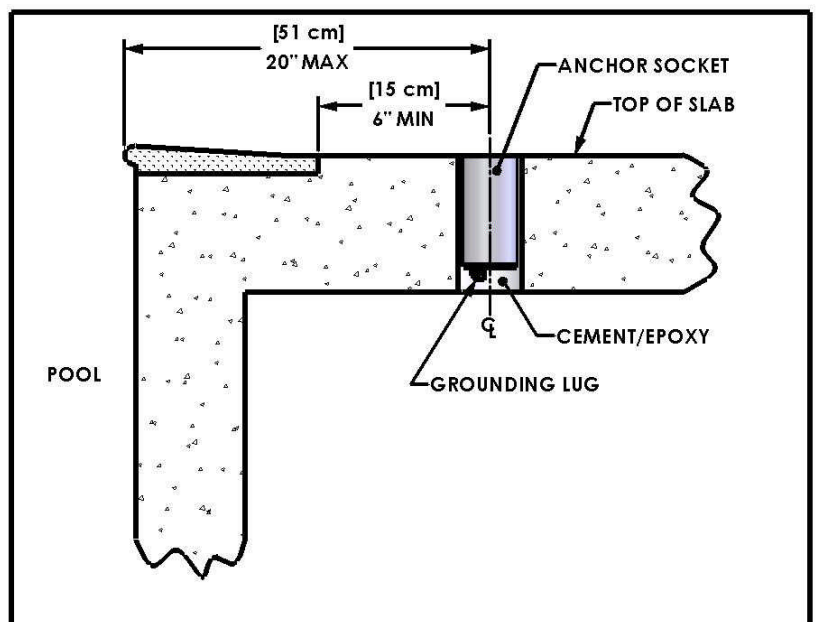
Carefully insert the anchor into the hole and pour some cement or epoxy around the anchor to provide support enough to check for plumb.



TIP: Fill the hole about a ¼ full of cement or epoxy prior to inserting the anchor. As you insert the anchor rotate it back and forth so that you can evenly distribute the cement or epoxy around the anchor.

STEP 8:

Check the anchor for level and plumb and pour hydraulic cement or high strength epoxy into the remaining space around the anchor making sure there are no void spaces. Let cement or epoxy cure for 24 hours (or minimum manufacturer's recommendations) before using lift.



EZ / POWER EZ NEW CONSTRUCTION ANCHOR INSTALLATION

NOTE: The concrete deck around the anchor system should be a minimum of 8" thick and should be reinforced with #4 reinforcing bars spaced on 10" centers in each direction. The total concrete pad area should be at least 60" wide (measured away from the pool edge) and 60" long (parallel with the pool edge).

REQUIRED TOOLS

Tape Measure
String Level

Small Carpenters Level
String Line

STEP 1:

Determine the best location for the lift. Be sure to mount the lift at a location that provides at least 48" [122 cm] from deck level to the bottom of the pool. Make sure the location includes enough clear deck space to easily transfer into the lift seat. Keep in mind this lift will require assistance from another person to operate and you should locate it in an area that can accommodate another person. The lift should also be located so as to provide at least 6' [1.8 m] of unobstructed deck to each side of the lift to accommodate easy maneuvering of the lift over the water and back.

STEP 2:

Locate the concrete anchor socket that came with your lift. Be careful to not lose the protective cap on the anchor. This will be used to keep dirt and debris out of the socket when the lift is not installed in the anchor.



STEP 3:

The setback to the center of the anchor must be no more than 20" [51 cm] from the pool wall and at least 6" [15 cm] from any control joint or edge of concrete slab. Measure the location out using your tape measure. (Reference the drawing on the previous page for details).

STEP 4:

Ground the anchor according to your local requirements.

STEP 5:

Place the anchor in the proper location using the string level and string line to make sure the top of the anchor will be flush with the finished surface of the new deck. Place a small amount of concrete at the location of the anchor to hold it in place.

STEP 6:

Verify all your measurements for accuracy and pour the deck as you normally would, making sure not to get any concrete inside the anchor system. Allow the concrete to cure before installing and using the lift.

ASSEMBLY INSTRUCTIONS – EZ POOL LIFT™

REQUIRED TOOLS

9/16" Wrench

3/4" Wrench

The EZ Pool Lift™ arrives with the boom arm attached to the mast. To complete the assembly, layout all parts needed on a large clean area.

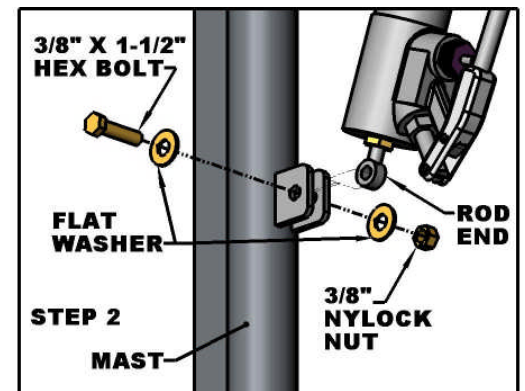
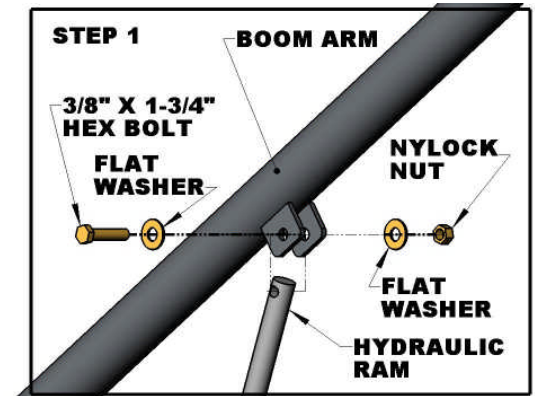
STEP 1:

Locate the Hydraulic ram and attach the upper end of the hydraulic ram to the boom with one (1) 3/8" x 1-3/4" hex head bolt, two (2) 3/8" flat washers, and one (1) 3/8" nylock nut.

STEP 2:

Connect the lower end of the hydraulic ram to the mast with one (1) 3/8" x 1-1/2" hex head bolt, two (2) 3/8" flat washers, and one (1) 3/8" nylock nut.

!WARNING!
MAKE SURE THAT THE 3/8" ROD END IS ALWAYS FULLY SEATED WITH THE MAXIMUM ALLOWABLE THREAD BEING USED.

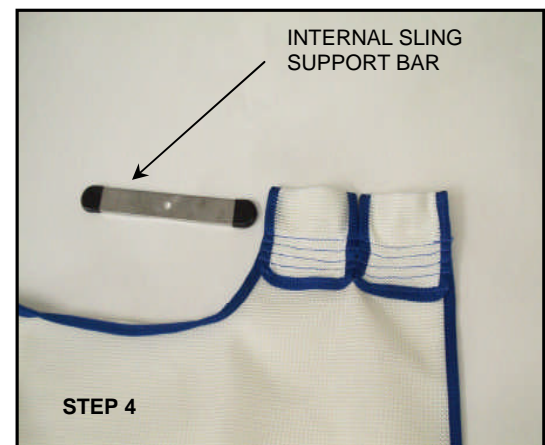


STEP 3:

Install lift into previously installed anchor socket in the pool deck. Make sure that the mast is seated at the bottom of the anchor. Check to ensure easy rotation of the lift in nylon-lined anchor sleeve.

STEP 4:

Locate the four (4) internal sling support bars and insert them into the sewn pockets in the mesh sling.

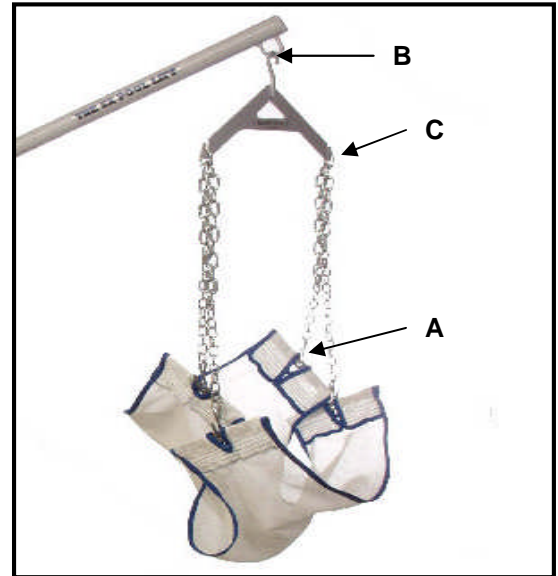


STEP 5:

Locate the chain assembly and insert each “S” hook into the holes in the sling support bars (A).

Attach the hanger to the boom eye on the lift (B).

Attach the chain links to the hanger (C) so that the sling is at the appropriate height to allow the user easy access and so that the sling will clear your pool wall (if applicable).



Assembly is complete. Prior to lifting any persons in the lift, it is highly recommended that the lift is operated at least once without a load to check for proper functioning and that the instructions for operating the lift be read and incorporated into a training program for the persons who will be operating the lift.

OPERATING INSTRUCTIONS –EZ POOL LIFT™

NOTE:

- **FOR SAFETY, CHECK FOR WORN PARTS AND LOOSE BOLT CONNECTIONS PRIOR TO EACH USE.**
- **ALL OPERATORS SHOULD BE FAMILIAR WITH ALL LIFT COMPONENTS AND THEIR INTENDED USES.**
- **OPERATORS SHOULD ALSO BE COMFORTABLE WITH ALL LIFTING PROCEDURES BEFORE ATTEMPTING TO LIFT A PERSON WITH THE LIFT.**

The EZ Pool Lift™ was not designed to be a self-operable unit and as such requires the use of an operator to assist the lift user with the transfer into and out of the pool.

There are two methods of loading the lift user into the harness. The method of loading will depend on the physical ability of the lift user. If the user has very limited use of his upper body, it will be necessary to follow the procedure as outlined below. If the user is physically able, he can simply place himself into the harness without need for assistance. However, once in the harness, it will still be necessary for an operator to assist with the transfer into or out of the pool.

- With the lift in the up position and the boom arm located over the deck, roll the user under the lift and engage the brakes on the wheelchair.
- With the user facing the assistant, place the mesh seat sling under the seated user while still in the wheelchair.
- Attach the chain to the mesh sling and the overhead hanger bar. There should not be any slack in the chain at this time.
- Make sure all chain connections are secure and the mesh seat sling is level on each side.
- Raise the user by pumping the hydraulic ram handle until the desired height is achieved. The user should just clear the wheelchair. Move the wheelchair out of the way if needed.
- Rotate the lift so that the user is above the pool, keeping one hand on the boom and one hand on the user to stabilize them.
- Lower the user into the water by pressing the handle towards the ram until it depresses the release pin. The hydraulic ram automatically controls the rate of descent for safety and control.
- This procedure is repeated to remove a user from the water.
- When the lift is not in use, remove the sling, hanger bar and mast from the anchor socket and replace the protective anchor cap.

ASSEMBLY INSTRUCTIONS – POWER EZ POOL LIFT™

REQUIRED TOOLS

9/16" Wrench

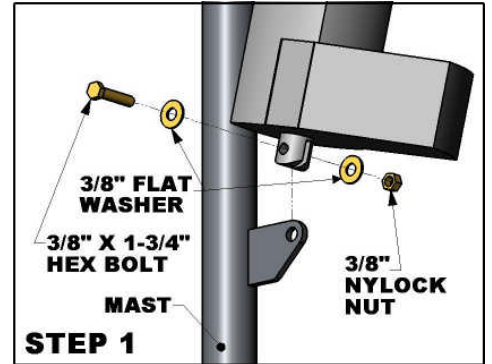
3/4" Wrench

1/8" Hex Key (Power EZ)

The Power EZ Pool Lift™ arrives with the boom attached to the mast. To complete the assembly, layout all parts needed on a large, clean area.

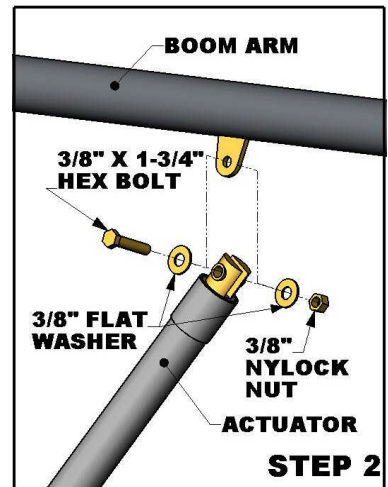
STEP 1:

Connect the lower end of the electric actuator to the mast (vertical post) with one (1) 3/8" x 1-3/4" hex head bolt, two (2) 3/8" flat washers and one (1) 3/8" nylock nut.



STEP 2:

Connect the upper end of the electric actuator to the boom arm with one (1) 3/8" x 1-3/4" hex head bolt, two (2) 3/8" flat washers and one (1) 3/8" nylock nut.

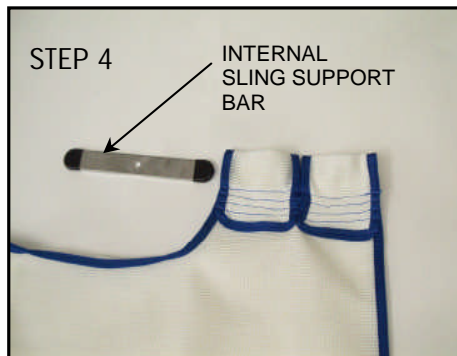


STEP 3:

Install lift into anchor socket installed in the pool deck. Make sure that the mast is seated at the bottom of the anchor. Check to ensure easy rotation of the lift in nylon-lined anchor sleeve.

STEP 4:

Locate the four (4) internal sling support bars and insert them into the sewn pockets in the mesh sling.

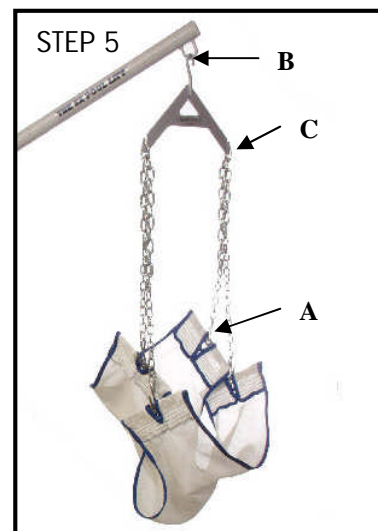


STEP 5:

Locate the chain assembly and insert each "S" hook into the holes in the sling support bars (A).

Attach the hanger to the boom eye on the lift (B).

Attach the chain links to the hanger so that the sling is at the appropriate height to allow the user easy access and so that the sling will clear your pool wall (C).



STEP 6:

Attach the control box by sliding it over the bottom of the mounting bracket until it reaches a positive stop and the holes in the control box and mounting bracket line up. Use the supplied #10-24 button head screw to secure the control box to the bracket.

STEP 7:

Attach the hand controller plug at the base of the control box. **Press firmly until plug is fully seated in the control box.**

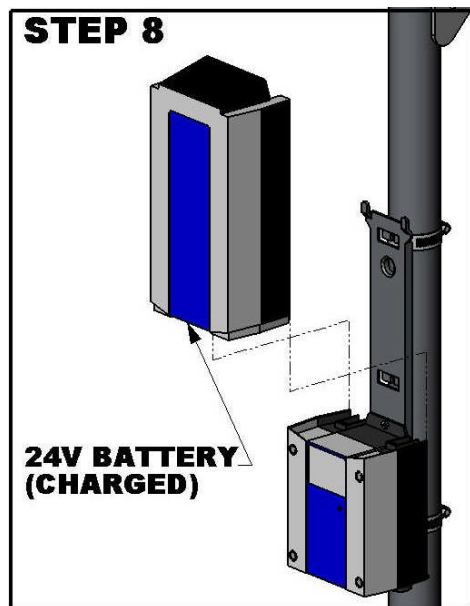
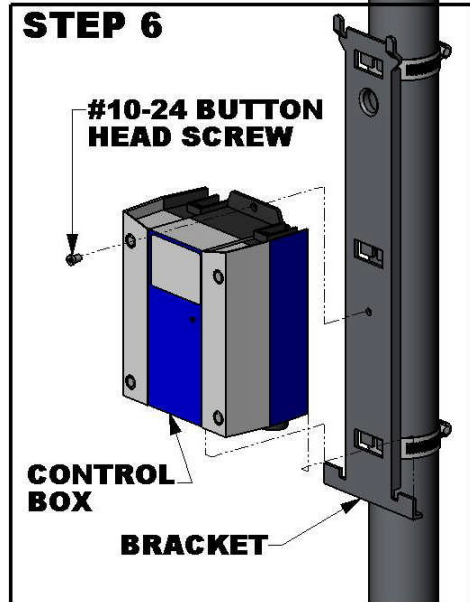


STEP 7

STEP 8:

Mount the **FULLY CHARGED** 24V battery on top of the Control Box. When properly mounted the battery will lock into place and will sit flush and square with the control box. **ALWAYS RECHARGE THE BATTERY OVERNIGHT AND START EACH DAY WITH A FULLY CHARGED BATTERY.**

Control box mounting



Assembly is complete. Prior to lifting any persons in the lift, it is highly recommended that the lift is operated at least once without a load to check for proper functioning and that the instructions for operating the lift be read and incorporated into a training program for the persons who will be operating the lift.

OPERATING INSTRUCTIONS - POWER EZ POOL LIFT™

NOTE:

- FOR SAFETY, CHECK FOR WORN PARTS AND LOOSE BOLT CONNECTIONS PRIOR TO EACH USE.
- ALL OPERATORS SHOULD BE FAMILIAR WITH ALL LIFT COMPONENTS AND THEIR INTENDED USES.
- OPERATORS SHOULD ALSO BE COMFORTABLE WITH ALL LIFTING PROCEDURES BEFORE ATTEMPTING TO LIFT A PERSON WITH THE LIFT.

The Power EZ Pool Lift™ requires the use of an operator to assist the lift occupant with the transfer into the pool. There are two methods of loading the lift occupant into the harness. The method of loading will depend on the physical ability of the lift occupant. If the user has very limited use of his/her upper body, it will be necessary to follow the procedure as follows. If the user is physically able, he can simply place himself into the harness without need for assistance. Once in the harness, it will be necessary for an operator to assist with the transfer into and out of the pool.

- With the lift in the up position and the boom arm located over the deck, roll the user under the lift and engage the brakes on the wheelchair.
- With the user facing the assistant, place the mesh seat sling under the seated user while still in the wheelchair.
- Attach the chain to the mesh sling and the overhead hanger bar. There should not be any slack in the chain at this time.
- Make sure all chain connections are secure and the mesh seat sling is level on each side.
- Raise the user by pressing the “up” arrow button on the controller until the desired height is achieved. The user should just clear the wheelchair.
- Rotate the lift so that the user is above the pool, keeping one hand on the boom and one hand on the user to stabilize them.
- Lower the user into the water by pressing the “down” button on the handheld controller until the user is submerged sufficiently in the water to allow an easy transfer to the pool.
- This procedure is repeated to remove a user from the water.
- When the lift is not in use, remove the sling, hanger bar and mast from the anchor socket and replace the protective anchor cap.

24V BATTERY SYSTEM OPERATING AND INSTALLATION INSTRUCTIONS



24-volt Rechargeable Battery



24-volt Battery Charger



Control box and handheld controller

The Power EZ Pool Lift™ battery system comes with a 24-volt sealed rechargeable battery, wall mount charging unit (with mounting bracket), control box, and a waterproof handheld controller. The control box is mounted to the Power EZ Pool Lift™ and has a plug-in socket for both the actuator and the handheld controller. The battery mounts directly above the control box with a quick-release clip.

To operate the Power EZ Pool Lift™ plug in the handheld controller to the control box and push the corresponding button to either lower or raise the unit. The lift should be able to complete approximately 10-20 full cycles before the low battery indicator audible tone will sound. The low battery indicator indicates approximately 20% battery life remaining.

At this point, **DO NOT ATTEMPT TO OPERATE THE LIFT**, remove the battery from the unit and recharge on the wall mount-charging unit.

To recharge the battery, simply grip the top of the battery and depress the clip on the back of the battery. This will unclip the battery from the control box bracket and the battery can then be clipped into the wall mount charger. When the charger is plugged in the green **ON** light will illuminate. When the battery is correctly mounted to the charger, the orange **CHARGE** light will illuminate. When the battery is fully charged, the **CHARGE** light will **GO OFF** and you can return the battery to the Power EZ Pool Lift™.

USING THE "EMERGENCY BUTTON" on the Power EZ Pool Lift™ Control Box

On the front of the control box is a small recessed button marked "emergency". If you take a pen or pencil or other pointed object and depress the "emergency" button, this will bypass the remote control or handset and send a signal directly to the actuator to raise the seat out of the pool and back to the deck or up position.

NOTE: this function will only work if there is sufficient power in the battery, the battery is properly attached to the control box, and the control box must be operating properly.





TIP: *For optimal battery performance, please use these helpful tips.*

1. **RECHARGE THE BATTERY AS OFTEN AS POSSIBLE.** *The battery power unit is a sealed lead acid battery pack. Frequent recharges will prolong the battery life and maintain a high cold amperage capacity.*
2. **Do NOT** *expose the battery to freezing temperatures.*
3. **Do NOT** *expose the battery to prolonged periods of extreme heat or severe cold temperatures.*
4. **Protect your battery from long periods of direct sunlight.** *Heat will shorten your battery life. Optimum operating temperature is below 68 degrees Fahrenheit (20 degrees Celsius).*
5. **Never drop or bump the battery pack.** *This may result in loose or damaged internal connections, and may bend the battery terminals causing poor or lost contact with the control box.*
6. **Keep battery terminals clean and free from dirt and corrosion to ensure good contact.**
7. **Periodically use dielectric grease on the contact points to promote better conductivity.**

TROUBLESHOOTING GUIDE (POWER EZ)

Before troubleshooting make sure the battery is fully charged.

If the lift doesn't move when the handset button is pressed:

When you can't get the lift to move check the following things:

1. Make sure the battery is fully charged:
 - A. Before charging the battery first make sure the **green** light on the front of the charger is illuminated (this means that the charger is on). Then check to make sure the silver contact points on the battery and charger are not damaged or corroded, and that they are clean. Then place the battery on the charger and look for the **orange** charge light to illuminate on the front of the charger. When the orange light goes off the battery is fully charged.

The top **green light** will always be illuminated indicating that it has power. When charging the battery the bottom **orange light** will illuminate, until fully charged.



- B. When the battery is correctly installed on the charger or control box you should hear a "click" indicating the battery is properly seated on the unit. Also note that when the battery is properly seated there should not be any gaps between the battery and the control box/charger.



Not attached properly. Note the white bracket is in front of silver clip, which will not allow for an electrical connection.



Properly Attached. Note that the white bracket is behind the silver clip. Not allowing movement.

If the battery is fully charged and the lift is not moving then:

2. Check all cords:

- A. Check that the cords are properly plugged in. Start by unplugging the remote and the actuator cord from the control box. Once these cords are removed check the ends for corrosion or damage. Plug the remote cord back in by lining up the raised tab on the plug to the grooved line on the control box outlet. Note that these cords require some force to plug them in fully. You will know they are correctly inserted when you hear a “popping sound”. The cords will be recessed into the outlet. If they are flush with the outside of the outlet they are not plugged in fully and the lift will not function. Make sure you do this for both cords.



NOT inserted fully.

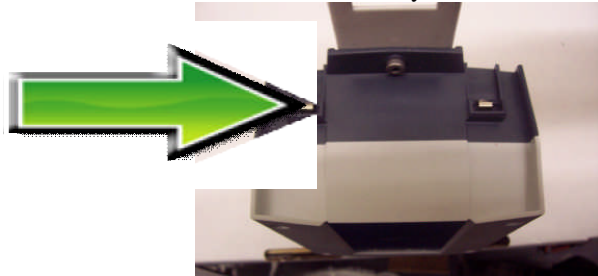


Fully inserted.

If you have checked all the cords and the lift still doesn't move:

3. Check the contact points:

- A. After you have fully charged the battery and checked the cords to make sure they are properly plugged in, check to make sure the contact points are not corroded or bent. If the contact points are corroded take some rubbing alcohol and a q-tip and clean off the points. After cleaning the contact points it is recommended to put some dielectric grease on the contact points (terminals) to help ensure good electrical contact and prevent corrosion. Then reinstall the battery on top of the control box. Make sure you hear a “click”, which indicates that the battery is correctly seated. The lift will not work if the battery is not seated correctly.



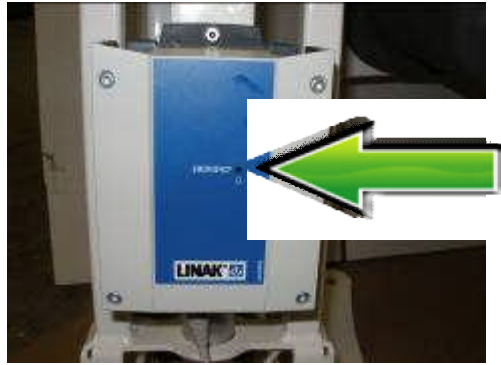
Silver tabs are the contact (terminal) points.

If the lift stops moving over the water and is stuck:

4. Then try pushing the emergency button:

A. If the lift gets stuck out over the water use a pen or pencil tip and stick it into the emergency button on the front of the control box to retract the lift. Note the lift will not retract if the battery is not fully charged or if the control box is not working. The emergency button only overrides the remote in case it has gone bad. If this does not retract the lift then chances are the remote is fine and you either have a problem with the battery, the control box, or the cords are damaged or not plugged in properly.

Use a pen or pencil tip to push in the small black circle located next to the word **emergency**, on the front of the control box.



SAFETY AND MAINTENANCE INSTRUCTIONS

- Do not play on or around this lift
- Check the EZ / Power EZ Pool LIFT™ before each use to assure there are no worn parts and that all hardware is properly tightened. If there are any worn parts, replace them BEFORE using the EZ / Power EZ Pool Lift™. You can call our customer service at 1-888-687-3552 to order any parts.
- Aqua Creek Products, LLC lifts shall be grounded per local codes.
- At least ONCE A WEEK, the EZ / Power EZ Pool Lift™ must be cleaned with fresh water.
- Do not spray the EZ / Power EZ Pool Lift™ 24v battery unit directly with any pressure.
- Wipe all surfaces clean with a damp, non-abrasive cloth. When cleaning the EZ / Power EZ Pool Lift™, use non-abrasive soap and water. Avoid harsh chemicals and disinfectants.
- Always read the label instructions on any cleaner carefully before applying it to a surface.
- The WARNING & INTENDED USE labels on the EZ / Power EZ Pool Lift™ need to be maintained in readable fashion. If they become unreadable or faded, please replace the label immediately. Replacement labels are available from AQUA CREEK PRODUCTS LLC. 1-888-687-3552.

CARE OF YOUR LIFT

Routine cleaning is an absolute necessity to ensure the integrity of the lift. Note that the Aqua Creek Pool Lift should not be stored in a pump room or in a storage room where pool chemicals are kept. Storing the lift near pool chemicals may cause rusting and other damage to occur. Your Aqua Creek stainless steel lift is powder coated to protect the stainless steel from rusting. Most rusting will occur at weld points, crevices, under gaskets, rivets or bolt heads.

The choice of a proper cleaning product is up to the consumer and there are many to choose from. Depending on the type of cleaning and the degree of contamination (rusting), some products are better than others. For routine cleaning the products most recommended are gentle soaps or detergents or dilute mixtures of ammonia. For stubborn spots and stains try using soft scrub with some brisk rubbing.

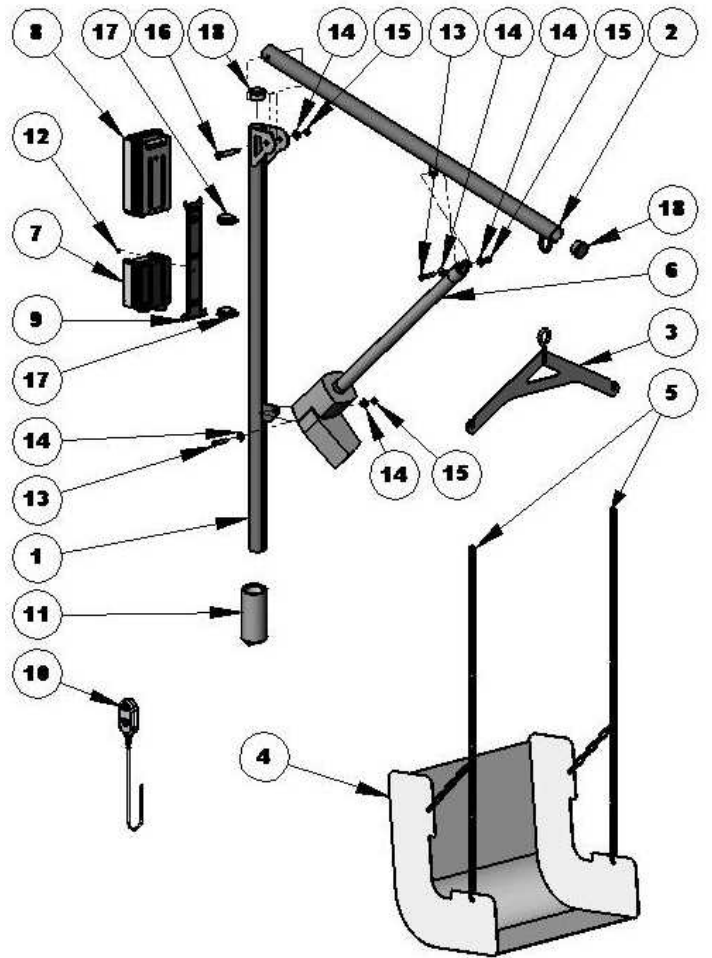
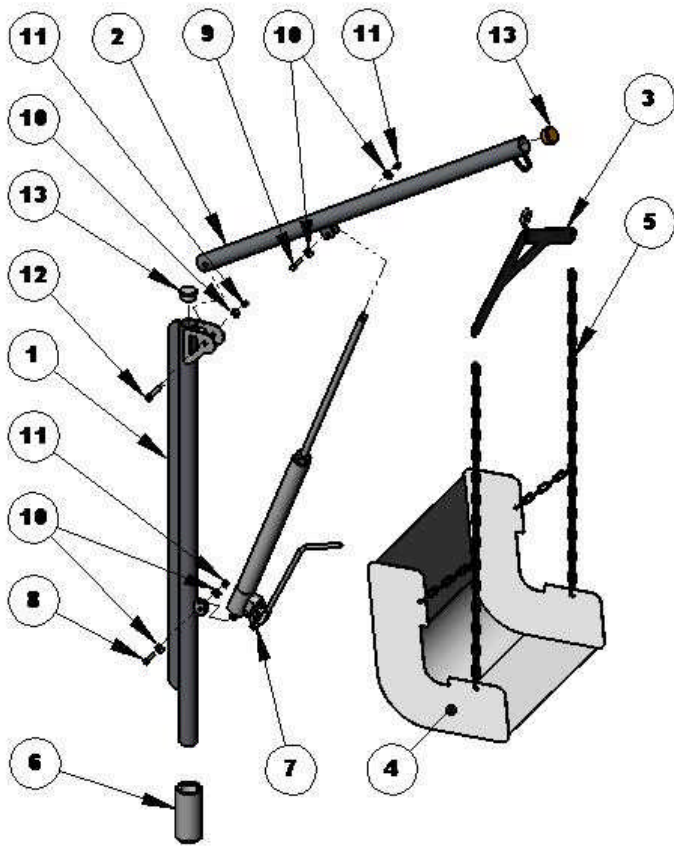
DO NOT USE POOL WATER TO CLEAN USE ONLY FRESH WATER

If the lift is used **DAILY** make sure to wash the lift at the end of the day. Wash the lift off using a mild soap and a soft cloth. Make sure to pay special attention to weld points and crevices. Do not use a bristled brush or steel wool to clean the lift. Check that the lift is working properly and then place the battery on the charger. It is recommended that the battery be charged after every day of use.

If the lift is used **WEEKLY** follow the same steps as above. Also be sure to check all of the contact points (terminals) for damage or corrosion. If you notice corrosion gently clean the terminals. To clean corrosion from the terminals use a q-tip and some rubbing alcohol. If the corrosion is particularly stubborn try using a 3M scotch brite pad, but be careful not to damage the terminals. Apply dielectric grease to the terminals after cleaning them. This will help to prevent further corrosion. Do not leave the battery on the lift. Always store the battery on the charger whenever the lift is not being used.

If the lift is used **MONTHLY** follow the same steps as above. Also check the nuts and bolts to make sure they are securely fastened (this is always a good idea, no matter how often or infrequently the lift is used). Also make sure to store the battery on the charger and not on the lift. Leaving the battery on the lift for extended periods will significantly shorten the battery's lifespan.

If the lift is being **STORED** for an extended period of time follow all of the steps above. Check for rusting at all crevice and weld points. If you notice rusting spray some WD-40 on the affected area and take a 3M scotch brite pad and rub briskly. Afterwards be sure to wash and rinse the lift again with soap and water. When storing the lift make sure it is in a dry area and covered. **DO NOT STORE** in or around pool chemicals.



EZ LIFT – PARTS LIST

ITEM#	QTY	PART NUMBER	DESCRIPTION
1	1	SA-0804EZMA	EZ MAST ASSEMBLY
2	1	SA-0804EZBA	EZ BOOM ASSEMBLY
3	1	F-038EZHB	EZ POOL LIFT HANGER
4	1	F-034EZS	EZ POOL LIFT SLING, MESH
5	1	F-03EZCH	EZ POOL LIFT CHAIN SET
6	1	F-033EZA	EZ POOL LIFT ANCHOR
7	1	SA-0804HR	HYDRAULIC RAM
8	1	BOLT3/8X11/2SS-HEX	3/8"-16 X 1-1/2" HEX BOLT, S.S.
9	1	BOLT3/8X13/4SS-HEX	3/8"-16 X 1-3/4" HEX BOLT, S.S.
10	5	FLATWASHER3/8SS	3/8" FLAT WASHER, S.S.
11	3	NYLOCK3/816SS	3/8"-16 NYLOCK NUT, S.S.
12	1	BOLT1/2X21/4SSSH	1/2" X 2-1/4" SHOULDER BOLT, S.S.
13	2	CAP1.9X145RDUHMW	1.9" X .145" WALL CAP, UHMW

POWER EZ LIFT – PARTS LIST

ITEM #	QTY	PART NUMBER	DESCRIPTION
1	1	SA-0804PEZM	POWER EZ MAST ASSEMBLY
2	2	SA-0804PEZB	POWER EZ BOOM ASSEMBLY
3	1	F-034EZH	EZ POOL LIFT HANGER
4	1	F-034EZS	EZ POOL LIFT SLING, MESH
5	1	F-03EZCH	EZ POOL LIFT CHAIN SET
6	1	F-499RAS	LINEAR ACTUATOR
7	1	F-40CBJ	CONTROL BOX
8	1	F-004AB	24VDC LEAD-ACID BATTERY
9	1	MBJ2-01	BATTERY/CB BRACKET
10	1	F-100JH	HANDSET CONTROL
11	1	F-003EZA	EZ POOL LIFT ANCHOR
12	1	SCREW10-24BHSS	#10-24 BUTTON HEAD SCREW, S.S.
13	2	BOLT3/8X13/4SSHEX	3/8"-16 X 1-3/4" HEX BOLT, S.S.
14	5	FLATWASHER3/8SS	3/8" FLAT WASHER, S.S.
15	3	NYLOCK3/816SS	3/8"-16 NYLOCK NUT, S.S.
16	1	BOLT1/2X21/4SSSH	1/2" X 2-1/4" SHOULDER BOLT, S.S.
17	2	HOSECLAMP21/2SS	2-1/2" HOSE CLAMP, S.S.
18	2	CAP1.9X145RDUHMW	1.9" X .145" CAP, UHMW

Aqua Creek Products, LLC Limited Product Warranty

EZ Pool Lift™ & Power – EZ Pool Lift™

Aqua Creek Products warrants to the original end user purchaser that products manufactured by Aqua Creek, when properly installed in accordance with assembly and installation instructions, and properly used and maintained, shall be free from defects in material and workmanship for a period of five (5) years from the date of original purchase, provided that Aqua Creek receives prompt notice in writing of any defect or failure and satisfactory proof thereof.

Exception 1:

The hydraulic ram, and mesh sling shall have a warranty period of one (1) year from the date of the original purchase.

Exception 2:

All electrical components, including the linear actuator shall have a warranty period of two (2) years from the date of original purchase

This warranty does not cover any damages due to accident, misuse, abuse, negligence or failure to properly maintain any products, or normal wear and tear from day to day operations. In the event that any products are altered, repaired, or improperly installed by anyone without the prior written approval by Aqua Creek, all warranties are void. **IMPORTANT: AMOUNT OF WEIGHT PLACED ON LIFT SHALL NOT EXCEED THE RATED LIFTING CAPACITY OF 400 POUNDS.**

To initiate a warranty claim, the owner of an Aqua Creek product must provide the place of purchase, in writing, with a full description of the product, its serial number, the dates of purchase and installation, and the exact nature of the defect. Within thirty (30) days after receipt of a written warranty claim by Aqua Creek, and barring any unforeseen delays, the place of purchase will be notified of Aqua Creek's decision regarding the claim.

If requested by Aqua Creek, any defective product must be returned, freight prepaid, to Aqua Creek's designated factory location or duly appointed distributor for inspection and/or repair. Aqua Creek will, at its option, repair or replace the failed or defective item, and deliver the repaired product or replacement to the seller of the product, freight prepaid to the destination provided for in the original order. Products returned to Aqua Creek for which Aqua Creek provides replacement under this limited warranty shall become the property of Aqua Creek.

A new warranty period shall NOT be established for the repaired or replaced products. Such products shall remain under warranty only for the remainder of the original warranty period on the original products purchased.

This written limited warranty constitutes the final, complete and exclusive statement of warranty terms. No person or organization is authorized to make any other specific or implied warranties or representations on behalf of Aqua Creek.

THE WARRANTIES SET FORTH HEREIN ARE IN LIEU OF ALL OTHER WARRANTIES, EXPRESSED OR IMPLIED, WHICH ARE HEREBY DISCLAIMED AND EXCLUDED, INCLUDING WITHOUT LIMITATION ANY WARRANTY OF MERCHANTABILITY OR FITNESS FOR A PARTICULAR PURPOSE OR USE.

THE SOLE AND EXCLUSIVE REMEDIES FOR BREACH OF ANY AND ALL WARRANTIES WITH RESPECT TO THE PRODUCTS SHALL BE LIMITED TO REPAIR OR REPLACEMENT AT AQUA CREEK'S DESIGNATED FACTORY LOCATION, OR DULY APPOINTED DISTRIBUTOR, OR IN PLACE AT AQUA CREEK'S OPTION. IN NO EVENT SHALL AQUA CREEK'S LIABILITY EXCEED THE ENTIRE AMOUNT PAID TO AQUA CREEK BY THE ORIGINAL PURCHASER FOR THE FAILED OR DEFECTIVE PRODUCT.

IN NO EVENT SHALL AQUA CREEK PRODUCTS BE LIABLE FOR ANY INCIDENTAL, CONSEQUENTIAL, SPECIAL, INDIRECT, PUNITIVE OR EXEMPLARY DAMAGES OR LOST PROFITS FROM ANY BREACH OF THIS LIMITED WARRANTY OR OTHERWISE.

Aqua Creek Products
9889 Garry More Lane
Missoula, MT 59808
(406) 549-0769