



Zippie 2

July 2014

E1Z2

Date: _____ Dealer Acct #: _____ Dealer: _____ Dealer Contact: _____ Dealer Address: _____ Dealer City: _____ ST: _____ ZIP: _____ Dealer Phone: () _____ Fax: () _____ Confirm Via: <input type="checkbox"/> Fax <input type="checkbox"/> Email	SUBMITTING FOR: <input type="checkbox"/> Quote <input type="checkbox"/> Order PO#: _____ Ship To: _____ Attention: _____ Address: _____ Address: _____ Ship To City: _____ ST: _____ ZIP: _____ Ship To Phone: () _____ Fax: () _____
---	---

Mark For: _____
 The **HCPCS CODES** provided are based on code verification through PDAC or our interpretation of the code definitions.
 The use of **HCPCS CODES** does not ensure coverage or payment. For coverage information, verify the appropriate payer's coverage policy.

✓	Option #	HCPCS	Definition	Price	✓	Option #	HCPCS	Definition	Price
---	----------	-------	------------	-------	---	----------	-------	------------	-------

ZIPPIE 2

UPDATED									
1. FRAME STYLE									
<input type="checkbox"/>	022WM01	E1238	Zippie 2 - Transit Included	\$2,315.00	<input type="checkbox"/>	022WM02	E1238	Zippie 2 - Transit Optional	\$2,165.00

UPDATED									
2. TRANSIT SYSTEM (when Frame is ordered Transit Optional)									
<input type="checkbox"/>	022TO19		Transit Seating (Req. Selection of Seat & Back)	\$250.00	<input type="checkbox"/>	022TO16		Transit w/ Conv. Seating	\$250.00
<input type="checkbox"/>	022TO13		Transit w/o Seating	\$250.00	<input type="checkbox"/>	022TO17		Transit with Fit Seating	\$250.00
<input type="checkbox"/>					<input type="checkbox"/>	022TO7		Transit Omit (only with Transit Included Frame)	(\$150.00)

3. FRAME COLOR

Standard Colors			
<input type="checkbox"/>	022C140	Aztec Gold	NC
<input type="checkbox"/>	022C2	Black (Not avail as base w/Zebra)	NC
<input type="checkbox"/>	022C141	Black Cherry	NC
<input type="checkbox"/>	022C10	Black Opal	NC
<input type="checkbox"/>	022C38	Blue Opal	NC
<input type="checkbox"/>	022C36	Candy Blue	NC
<input type="checkbox"/>	022C14	Candy Purple	NC
<input type="checkbox"/>	022C35	Candy Red	NC
<input type="checkbox"/>	022C142	Electric Blue	NC
<input type="checkbox"/>	022C143	Evergreen	NC
<input type="checkbox"/>	022C126	Glow	NC
<input type="checkbox"/>	022C144	Green Apple	NC
<input type="checkbox"/>	022C147	Hot Sparkle Pink	NC
<input type="checkbox"/>	022C148	Mauve Pink	NC

<input type="checkbox"/>	022C103	Rootbeer	NC
<input type="checkbox"/>	022C114	Sparkle Silver	NC
<input type="checkbox"/>	022C145	Sunrise Orange	NC
<input type="checkbox"/>	022C113	Titanium Color Paint	NC
<input type="checkbox"/>	022C8	Yellow	NC

Standard Matte Colors			
<input type="checkbox"/>	022C116	Matte Black	NC
<input type="checkbox"/>	022C151	Matte Black Cherry	NC
<input type="checkbox"/>	022C152	Matte Purple	NC
<input type="checkbox"/>	022C150	Matte Electric Blue	NC
<input type="checkbox"/>	022C149	Matte Evergreen	NC

Custom Colors			
<input type="checkbox"/>	022C43	Mossy Oak Camouflage	\$295.00
<input type="checkbox"/>	022C42	Stars and Stripes	\$295.00
<input type="checkbox"/>	022C108	Zebra (Choose base color above: White Std, n/a black)	\$295.00

4. FRAME WIDTH

<input type="checkbox"/>	022W3	12"	NC
<input type="checkbox"/>	022W4	13"	NC
<input type="checkbox"/>	022W5	14"	STD

<input type="checkbox"/>	022W6	15"	NC
<input type="checkbox"/>	022W7	16"	NC

Mark For:

The **HCPCS CODES** provided are based on code verification through PDAC or our interpretation of the code definitions. The use of **HCPCS CODES** does not ensure coverage or payment. For coverage information, verify the appropriate payer's coverage policy.

✓	Option #	HCPCS	Definition	Price	✓	Option #	HCPCS	Definition	Price
---	----------	-------	------------	-------	---	----------	-------	------------	-------

5. FRAME DEPTH AND BACK POST LOCATION

<input type="checkbox"/>	022FL1		Kids (12" - 16")	NC	<input type="checkbox"/>	022FL9		Regular (12" - 18")	NC
<input type="checkbox"/>	022FD3		12"	NC	<input type="checkbox"/>	022FD3		12"	NC
<input type="checkbox"/>	022FD4		13"	NC	<input type="checkbox"/>	022FD4		13"	NC
<input type="checkbox"/>	022FD5		14"	STD	<input type="checkbox"/>	022FD5		14"	STD
<input type="checkbox"/>	022FD6		15"	NC	<input type="checkbox"/>	022FD6		15"	NC
<input type="checkbox"/>	022FD7		16"	NC	<input type="checkbox"/>	022FD7		16"	NC
					<input type="checkbox"/>	022FD8		17"	NC
					<input type="checkbox"/>	022FD9		18"	NC

6. SEATING

Seats

<input type="checkbox"/>	022ST16	E2231	Solid Seat/Back	\$200.00
<input type="checkbox"/>	022B3		Short (12")	N/C
<input type="checkbox"/>	022B7		Medium (14")	N/C
<input type="checkbox"/>	022B11		Tall (16")	N/C
<input type="checkbox"/>	022ST27		Omit Solid Seat/Back	NC

JAY Cushions (Optional)

To order any JAY cushions on-chair, please see the JAY price list. Cushion name or part number must be filled out with desired width and depth

<input type="checkbox"/>	022JC20	JAY Bundled Cushion		Price List
		Cushion Name or Part #		
		Width:	Depth:	

7. STROLLER HANDLE BACK POSTS FOR ADAPTIVE SEATING - BACK RESTS

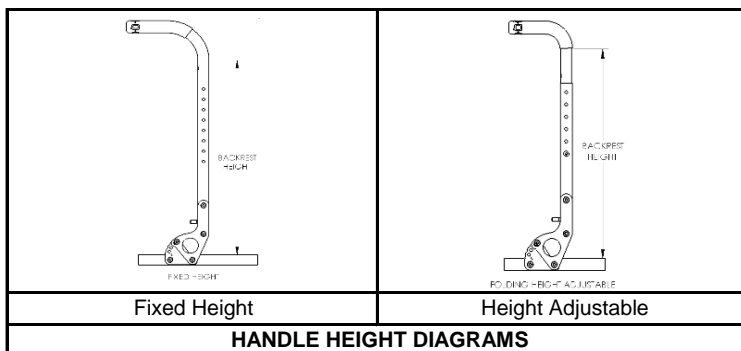
Fixed Height

<input type="checkbox"/>	022BP9		Low (19" Ht)	NC
<input type="checkbox"/>	022BP10		Medium (22" Ht)	NC
<input type="checkbox"/>	022BP11		Tall (25" Ht)	NC
<input type="checkbox"/>	022BP13		Removable Extension	\$85.00
<input type="checkbox"/>	022RG1		Folding Adjustable Rigidizer	\$175.00

Height Adjustable

Folding Frame with Push Handle

<input type="checkbox"/>	022B180		Std. (17"-23" Height.)	NC
<input type="checkbox"/>	022BP47		Swing Away Handle	\$55.00
<input type="checkbox"/>	022B181		Tall (20"-26" Height.)	NC
<input type="checkbox"/>	022BP47		Swing Away Handle	\$55.00



HANDLE HEIGHT DIAGRAMS

Jay Backs (Optional)

Ordering JAYbacks on-chair, See the JAY Price List. Requires Part #

<input type="checkbox"/>	022JB02	JAY Bundled Backrest		Price List
		Backrest Name or Part #		
		Width:	Height:	

8. ARMRESTS UPDATED

Armrest and Armpad - Height Adjustable

<input type="checkbox"/>	022AA12	E0973	T-Post Regular w/Foam	NC
<input type="checkbox"/>	022AA13	E0973	T-Post Tall w/Foam	NC
<input type="checkbox"/>	022AA3	E0973	Flip-Up	NC
<input type="checkbox"/>	022AA1	E0973	Adjustable Locking Flip-Up	\$255.00
<input type="checkbox"/>	022AA7	E0973	Length Adjust. Locking Flip-Up	\$265.00
<input type="checkbox"/>	022AM23		Desk Length (10")	NC
<input type="checkbox"/>	022AM24		Full Length (14")	NC
<input type="checkbox"/>	022AM9		Foam Short (not avail. w/T Post)	NC
<input type="checkbox"/>	022AM10		Foam Long (not avail. w/T Post)	NC

Armrest - Height Adjustable

<input type="checkbox"/>	022AA11	E0973	Single-Post Height Adj. Std.	\$285.00
<input type="checkbox"/>	022AM23		Desk Classic	NC
<input type="checkbox"/>	022AM21		Desk Contour (n/a w/12-13" Depth)	NC
<input type="checkbox"/>	022AM24		Full Classic	NC
<input type="checkbox"/>	022AM22		Full Contour (n/a w/12-13" Depth)	NC
<input type="checkbox"/>	022AA29	E0973	Single-Post Height Adj. Low	\$285.00
<input type="checkbox"/>	022AM23		Desk Classic	NC
<input type="checkbox"/>	022AM21		Desk Contour (n/a w/12-13" Depth)	NC
<input type="checkbox"/>	022AM24		Full Classic	NC
<input type="checkbox"/>	022AM22		Full Contour (n/a w/12-13" Depth)	NC

Armrest Receiver for Height Adjustable Armrest

<input type="checkbox"/>	022AR17		Low (n/a w/20" rear wheels)	NC
<input type="checkbox"/>	022AR18		Std	NC

Mark For:

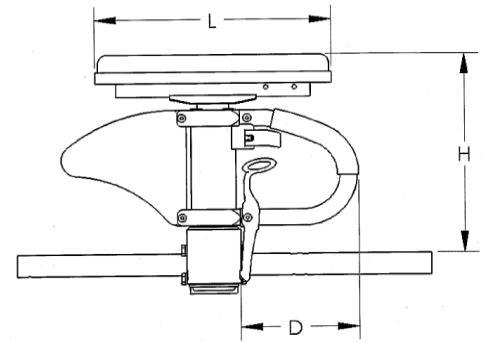
The **HCPCS CODES** provided are based on code verification through PDAC or our interpretation of the code definitions. The use of **HCPCS CODES** does not ensure coverage or payment. For coverage information, verify the appropriate payer's coverage policy.

✓	Option #	HCPCS	Definition	Price	✓	Option #	HCPCS	Definition	Price
---	----------	-------	------------	-------	---	----------	-------	------------	-------

8. ARMRESTS (Cont.)

Armrest Size	Transfer Tube Length D	Receiver	CLASSIC PAD		
			H Range	Pad Length L	
				Desk	Full
STD	8"	STD	10 3/4" to 15 3/4"	10 1/4"	14"
		LOW	8 3/4" to 13 3/4"		
LOW	5 1/4"	STD	9" to 13"	10 1/4"	14"
		LOW	7 1/4" to 11 1/4"		

Armrest Size	Transfer Tube Length D	Receiver	CONTOUR PAD		
			H Range	Pad Length L	
				Desk	Full
STD	8"	STD	10" to 15"	10 1/2"	14 1/4"
		LOW	8 1/4" to 12 1/2"		
LOW	5 1/4"	STD	8 1/2" to 12 1/2"	10 1/2"	14 1/4"
		LOW	6 3/4" to 10 3/4"		



Armrest Matrix for Single Post

9. FOOTRESTS

Hanger Mounted Footrest (Footplates Mount to Hanger Tubing)

Hanger Type

<input type="checkbox"/>	022H89		70° Swing In/Out Front Mount	NC
<input type="checkbox"/>	022H90		80° Swing In/Out Front Mount	NC
<input type="checkbox"/>	022H91		90° Swing In/Out Front Mount	NC
<input type="checkbox"/>	022H9		70° Hvy Dty Fnt Mount Lift-Off	NC
<input type="checkbox"/>	022H10		80° Hvy Dty Fnt Mount Lift-Off	NC
<input type="checkbox"/>	022H11		90° Hvy Dty Fnt Mount Lift-Off	NC
<input type="checkbox"/>	022H14	E0990	90° Elevating	\$295.00

Extensions (may interfere with some seat heights & casters)

<input type="checkbox"/>	022E23		2" (not mounted)	\$55.00
<input type="checkbox"/>	022E24		4" (not mounted)	\$55.00

Footplate

<input type="checkbox"/>	022F9	K0040	Kids Angle Adjustable (not avail. w/17"-18" widths)	\$185.00
<input type="checkbox"/>	022F8	K0040	Adult Angle Adj. (Available with 10"-18" widths)	\$185.00
<input type="checkbox"/>	022F62	K0040	Footboard (Available with 10"-16" widths)	\$150.00

Footplate

<input type="checkbox"/>	022F1	E0951	Composite (not avail. In 10", 11" or 12" width)	STD
<input type="checkbox"/>	022F3	K0040	Aluminum Angle Adjustable	\$185.00
<input type="checkbox"/>	022F4	K0040	Kids Angle Adjustable (not avail. w/17"-18" width)	\$185.00
<input type="checkbox"/>	022F5		Aluminum (Only available with elevating legrests 14"-18")	NC
<input type="checkbox"/>	022F48	K0040	Platform Flip-Up (Avail on 60° 70° and 80° ext. mount hangers only)	\$190.00
<input type="checkbox"/>	022F271	K0040	Composite Angle Adj (16"-22"w)	\$150.00

Footrest Hanger Options

<input type="checkbox"/>	022IG2		Neoprene Covers (Avail. on 60°/70°/80° ext. mount hangers only)	\$85.00
<input type="checkbox"/>	022A54	K0038	Extra Single Leg Strap	\$30.00
<input type="checkbox"/>	022A110	E0952	Toe Loop (Only avail. w/ adult angle adjust. footplates)	\$40.00
<input type="checkbox"/>	022HL1	E0951	Heel Loops	\$30.00
<input type="checkbox"/>	022H32		Omit Hanger	(\$15.00)
<input type="checkbox"/>	022F7		Omit Footplate & Ext. Tube	(\$15.00)
<input type="checkbox"/>	022HL4		Omit Heel Loop	NC
<input type="checkbox"/>	022HL6		Omit Single Leg Strap	NC

Ext. Tube Mounted Footrests (Footplates Mount to Ext. Tube)

Hanger Type

<input type="checkbox"/>	022H85		60° Swing In/Out	NC
<input type="checkbox"/>	022H86		70° Swing In/Out	STD
<input type="checkbox"/>	022H116		80° Swing In/Out (n/a with 6" or 8" Casters)	STD
<input type="checkbox"/>	022H24	K0053	Articulating (not avail. w/ 12"-13" composite footplate)	\$350.00
<input type="checkbox"/>	022H14	E0990	Elevating (Not avail. w/ composite or platform footplates or < 16" width)	\$295.00

Extensions

<input type="checkbox"/>	022E1		Short (11.5" - 14")	NC
<input type="checkbox"/>	022E2		Med (14" - 17") Not avail. w/ ELR	NC
<input type="checkbox"/>	022E5		Long (17" - 19")	NC
<input type="checkbox"/>	022E16	K0037	High Mount	\$55.00

Mark For: _____

The **HCPCS CODES** provided are based on code verification through PDAC or our interpretation of the code definitions.
 The use of **HCPCS CODES** does not ensure coverage or payment. For coverage information, verify the appropriate payer's coverage policy.

✓ Option # HCPCS Definition Price ✓ Option # HCPCS Definition Price

10. CASTERS

Caster Wheel			
<input type="checkbox"/>	022CW30	3" Micro Light Up	\$65.00
<input type="checkbox"/>	022CW31	4" Micro Light Up	\$70.00
<input type="checkbox"/>	022CW3	4" Polyurethane	NC
<input type="checkbox"/>	022CW51	5" Micro Light Up	\$85.00
<input type="checkbox"/>	022CW5	5" Low-Profile Polyurethane	STD
<input type="checkbox"/>	022CW7	5" x 1.5" Semi-Pneumatic	\$85.00
<input type="checkbox"/>	022CW33	E2214 E2215 6" Pneumatic	\$75.00
<input type="checkbox"/>	022CW34	6" Polyurethane	NC
<input type="checkbox"/>	022CW35	6" x 1.5" Semi-Pneumatic	\$85.00
<input type="checkbox"/>	022CW21	E2214 E2215 8" Pneumatic (not avail. w/ 90° Hangers or kids frame length)	\$75.00
<input type="checkbox"/>	022CW32	8" Polyurethane (not avail. w/ 90° Hangers or kids frame length)	NC
<input type="checkbox"/>	022CW39	8" x 1.5" Semi-Pneumatic (not avail. w/ 90° Hangers or kids frame length)	\$85.00
<input type="checkbox"/>	022CW36	E2214 E2215 8" x 2" Pneumatic (not avail. w/ 90° Hangers or kids frame length)	\$145.00
<input type="checkbox"/>	022CW37	E2214 K0108 8" x 2" Pneumatic Inserts (not avail. w/ 90° Hangers or kids frame length)	\$225.00

Caster Options			
<input type="checkbox"/>	022CS5	3/4" Longer Fork Stem Bolt	NC
<input type="checkbox"/>	022CS9	1 1/2" Longer Fork Stem Bolt	NC
<input type="checkbox"/>	022CS3	K0073 Caster Pin Locks (Not available with 8" x 2" or Transit Opt.)	\$195.00
<input type="checkbox"/>	022CW38	Omit Caster, Wheels & Tires	NC

Rear Wheel Size	FRONT SEAT TO FLOOR HEIGHT GUIDE (Reference Only)							
	CASTER SIZE							
	3"	4"	5"	6"	8"x1"	8"x1.5"	8"x2"	
12"	16.5	16.5	16.5	16.5	N/A	N/A	N/A	
	17.0	17.0	17.0	17.0				
12" Low Poly	15.5	15.5	15.5	15.5	N/A	N/A	N/A	
	16.0	16.0	16.0	16.0				
16"	15.5	15.5	15.5	15.5	N/A	N/A	N/A	
	16.0	16.0	16.0	16.0				
18"	15.0	15.0	15.0		N/A	N/A	N/A	
	15.5	15.5	15.5					
	16.0	16.0	16.0	16.0				
	16.5	16.5	16.5	16.5				
20"	17.0	17.0	17.0	17.0	N/A	N/A	N/A	
	16.5	16.5	16.5	16.5				
	16.0	16.0	16.0	16.0				
	15.5	15.5	15.5					
	17.5	17.5	17.5	17.5				17.5
	18.0	18.0	18.0	18.0				18.0
22"	18.5	18.5	18.5	18.5	18.5	18.5	18.5	
	18.0	18.0	18.0	18.0	18.0	18.0	18.0	
	17.5	17.5	17.5	17.5		17.5		
	17.0	17.0	17.0	17.0				
	16.5	16.5	16.5	16.5				
	16.0	16.0	16.0	16.0				
24"	15.5	15.5	15.5					
	19.0	19.0	19.0	19.0	19.0	19.0	19.0	
	18.5	18.5	18.5	18.5	18.5	18.5	18.5	
	18.0	18.0	18.0	18.0	18.0	18.0	18.0	
	17.5	17.5	17.5	17.5		17.5		
	17.0	17.0	17.0	17.0				
	16.5	16.5	16.5	16.5				
	16.0	16.0	16.0	16.0				
Based on rear seat to floor height up to 1.5" lower than front seat to floor height. To achieve desired seat height see matrices on last page.								

Mark For:

The **HCPCS CODES** provided are based on code verification through PDAC or our interpretation of the code definitions. The use of **HCPCS CODES** does not ensure coverage or payment. For coverage information, verify the appropriate payer's coverage policy.

✓	Option #	HCPCS	Definition	Price	✓	Option #	HCPCS	Definition	Price
---	----------	-------	------------	-------	---	----------	-------	------------	-------

11. AXLES AND WHEELS

Axle Plate UPDATED				
<input type="checkbox"/>	022AL2		Standard	NC
<input type="checkbox"/>	022AL81	E0959	Amputee	\$175.00
<input type="checkbox"/>	022AL16	E0958	One Arm Drive (Avail with 13"-16" widths only) (Not avail. w/ amputee axle plate, 12", 16" or 18" wheels.)	\$850.00
<input type="checkbox"/>	022OA2		Standard Handrim	NC
<input type="checkbox"/>	022HM1		Right	NC
<input type="checkbox"/>	022HM2		Left	NC
<input type="checkbox"/>	022OA1		Small Handrim (not avail w/20" rear wheels)	NC
<input type="checkbox"/>	022HM1		Right	NC
<input type="checkbox"/>	022HM2		Left	NC

Axle UPDATED				
<input type="checkbox"/>	022AX1		Quick Release	NC
<input type="checkbox"/>	022AX11		Quad Quick Release (not available with Lite Spokes)	\$125.00

Rear Wheel Size				
<input type="checkbox"/>	022RW48		12" Mag (Not available with handrims)	\$40.00
<input type="checkbox"/>	022RW14		16" Mag (Not available with handrims)	NC

Rear Wheel Size - Cont				
<input type="checkbox"/>	022RW3		20" Mag	NC
<input type="checkbox"/>	022RW8		22" Mag	STD
<input type="checkbox"/>	022RW1		24" Mag	NC
<input type="checkbox"/>	022RW12		18" Spoke	\$100.00
<input type="checkbox"/>	022RW74		20" Lite Spoke	NC
<input type="checkbox"/>	022RW75		22" Lite Spoke	NC
<input type="checkbox"/>	022RW54		24" Lite Spoke	\$100.00
<input type="checkbox"/>	022RW25		Omit Rear Wheel & Axle	(\$55.00)

Rear Wheel Tire				
<input type="checkbox"/>	022RT1	E2211 E2212	Pneumatic	NC
<input type="checkbox"/>	022RT2	E2211 E2213	Pneumatic Airless Insert	\$80.00
<input type="checkbox"/>	022RT3	E2218	Full Polyurethane (Not avail.w/ 12", 16" and 18" rear wheels)	NC
<input type="checkbox"/>	022RT4		Low Polyurethane (Only available with 12" and 24" wheels)	NC
<input type="checkbox"/>	022RT6	E2211 E2212	High Pressure Clincher (Avail. w/ 24" spoke wheels, not avail. With mag wheels)	\$95.00

Handrim				
<input type="checkbox"/>	022HR1		Aluminum Anodized	NC
<input type="checkbox"/>	022HR4		Plastic Coated	\$95.00
<input type="checkbox"/>	022HR7		Omit (Not available with wheel/axle credit)	NC

Projections (Not Available on Plastic Coated) UPDATED				
<i>Only available with 24" wheels</i>				
<input type="checkbox"/>	022HR8		8 Oblique	\$325.00

Hub Lock				
<i>*Only available with 12" or 16" wheels. Not available with one arm drive.</i>				
<input type="checkbox"/>	022LK01		12" Hub Lock	\$100.00
<input type="checkbox"/>	022LK02		16" Hub Lock	\$100.00

Wheel Lock				
<i>Not available with Hub Lock</i>				
<input type="checkbox"/>	022WL1		High Mount Push (not avail. w/kids frame and 24" rear wheels)	NC
<input type="checkbox"/>	022WL2		High Mount Pull (not avail. w/kids frame and 24" rear wheels)	NC
<input type="checkbox"/>	022WL25		Foot Lock (may limit folding width & n/a w/ 24" rear wheels and kids frame)	NC
<input type="checkbox"/>	022WL10		Omit	NC

Extension Handle				
<input type="checkbox"/>	022EH1	E0961	6" Pair	\$75.00

Anti-Tip UPDATED				
<input type="checkbox"/>	022AO1	E0971	Front Anti-Tip (Not avail. with caster pin locks or transit opt.)	\$150.00
<input type="checkbox"/>	022AT1	E0971	Rear Anti-Tip	\$140.00

Mark For: _____

The **HCPCS CODES** provided are based on code verification through PDAC or our interpretation of the code definitions. The use of **HCPCS CODES** does not ensure coverage or payment. For coverage information, verify the appropriate payer's coverage policy.

✓	Option #	HCPCS	Definition	Price	✓	Option #	HCPCS	Definition	Price
---	----------	-------	------------	-------	---	----------	-------	------------	-------

12. ACCESSORIES

Back Pack (Kids Backpack included)

<input type="checkbox"/>	022A1		Utility Backpack - Black	\$55.00
<input type="checkbox"/>	022A2		Additional Kids Black Backpack	\$50.00

Seat Pouch

<input type="checkbox"/>	022A8		Black	\$45.00
--------------------------	-------	--	-------	---------

Miscellaneous

<input type="checkbox"/>	022A82		Caddy	\$45.00
<input type="checkbox"/>	022A83		Tool Kit	\$45.00
<input type="checkbox"/>	022A49	E2207	Crutch Holder-Assem. Fold Chair	\$195.00

Positioning Belt (w/clamps)

<input type="checkbox"/>	022A112	E0978	1" Dual Pull Side Squeeze Padded	\$85.00
<input type="checkbox"/>	022A117	E0978	Belt 2" Aircraft Buckle	\$110.00
<input type="checkbox"/>	022A118	E0978	Belt 2" Aircraft Buckle Padded	\$120.00
<input type="checkbox"/>	022A141	E0978	Belt 1.5" Auto Buckle w/Clamps	\$70.00
<input type="checkbox"/>	022A814	E0978	1" Comfort Fit APB5116	\$120.00

Spoke Guard

(Not available with 12", 16" and 18" rear wheels or projections)

<input type="checkbox"/>	022A23	K0065	Black	\$115.00
<input type="checkbox"/>	022A303	K0065	Clear Zippie	\$115.00

Upper Extremity Support Tray

<input type="checkbox"/>	022A29	E0950	X-Small (Suggested 10"-12")	\$250.00
<input type="checkbox"/>	022A30	E0950	Small (Suggested 13"-14")	\$250.00
<input type="checkbox"/>	022A31	E0950	Medium (Suggested 15"-17")	\$250.00
<input type="checkbox"/>	022A32	E0950	Large (Suggested 18"-20")	\$250.00

Side Guard

(Not available with height adjustable armrests and T-Posts)

<input type="checkbox"/>	022SG33	K0108	Plastic Std	\$125.00
<input type="checkbox"/>	022SG29	K0108	Plastic Low	\$125.00

Canopy (SunShade)

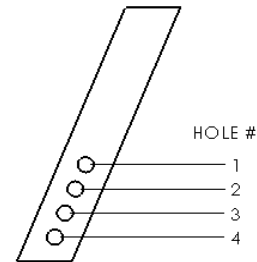
(Need 2" back post clearance to mount canopy hardware, may require next height based on seating; please note some interference may occur with some headrest configurations)

<input type="checkbox"/>	0228A06	K0108	Canopy (Sunshade) 10"-14" Width	\$275.00
<input type="checkbox"/>	0228A07	K0108	Canopy (Sunshade) 15"-20" Width	\$275.00

Zippie 2 Seat Height Setup

Caster Fork Size	Caster Stem	Caster Fork Hole Position	CASTER SIZE								
			3	4	5	6	8x1	8x1.5	8x2		
5-1/4 (N/A with 8x2 Caster)	Std	1			15						
		2		15	15.5	16					
		3	15	15.5	16	16.5					
		4	15.5	16	16.5	17	18	18			
	+3/4"	1			16						
		2		16	16.5	17					
		3	16	16.5	17	17.5					
		4	16.5	17	17.5	18	19	18.5			
	+1-1/2"	1			16.5						
		2		16.5	17	17.5					
		3	16.5	17	17.5	18					
		4	17	17.5	18	18.5	19.5	19.5			
6" (N/A with 8x2 Caster)	Std	1			16	16.5					
		2		16	16.5	17	18	17.5			
		3	16	16.5	17	17.5	18.5	18			
		4	16.5	17	17.5	18	19	18.5			
	+3/4"	1			16.5	17					
		2		16.5	17	17.5	18.5	18.5			
		3	16.5	17	17.5	18	19	19			
		4	17	17.5	18	18.5	19.5	19.5			
	+1-1/2"	1			17.5	18					
		2		17.5	18	18.5	19.5	19			
		3	17.5	18	18.5	19	20	19.5			
		4	18	18.5	19	19.5	20.5	20			
7" (N/A with 8x2 Caster)	Std	1			17	17.5	18.5	18			
		2		17	17.5	18	19	18.5			
		3	17	17.5	18	18.5	19.5	19			
		4	17.5	18	18.5	19	20	19.5			
	+3/4"	1			17.5	18					
		2		17.5	18	18.5	19.5	19.5			
		3	17.5	18	18.5	19	20	20			
		4	18	18.5	19	19.5	20.5	20.5			
	+1-1/2"	1			18.5	19					
		2		18.5	19	19.5	20.5	20			
		3	18.5	19	19.5	20	21	20.5			
		4	19	19.5	20	20.5	21.5	21			
8" Wide (must use with 8x2 caster)	Std	1								18	
		2								19	
	+3/4"	1									18.5
		2									19.5
	+1-1/2"	1									19.5
		2									20.5

5-1/4", 6" & 7" Fork



8" Wide Fork

