

Wenzel*i*te Re/hab<sup>TM</sup>  
**drive**

[www.drivemedical.com](http://www.drivemedical.com)

## Kanga TS pediatric frame

Item #

KG P800

KG 1000

KG 1200

KG 1400



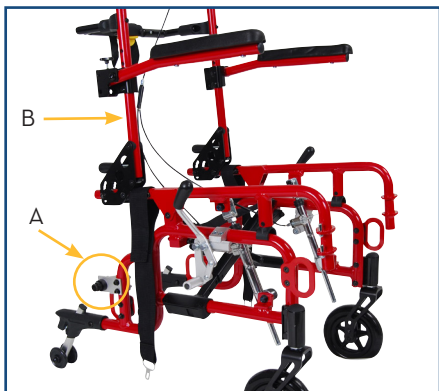
EU Authorized Representative  
Drive Medical LTD  
Ainley's Industrial Estate  
Elland, West Yorkshire,  
United Kingdom HX5 9JP

[www.drivemedical.com](http://www.drivemedical.com)

Wenzel*i*te Re/hab<sup>TM</sup>  
**drive**

## assembly

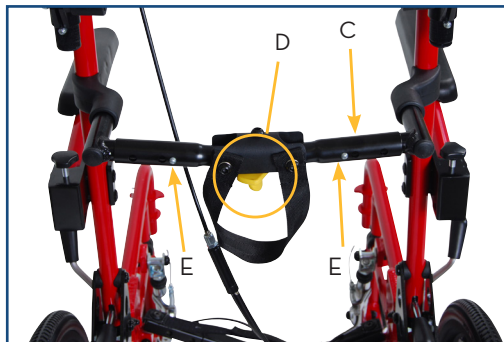
1. Open frame by pulling right and left side apart and pushing down on the cross brace until fully extended.
2. Install right and left rear wheels by pushing the quick release button (located in the center of the wheel) on the axles and sliding it into the axle sleeve (A) until it locks. To remove, push the quick release button and pull out from axle sleeve.
3. Raise right and left back canes (B) until it clicks into place.



4. Determine width of chair, 10" 12" or 14". Remove screws (circled below) and adjust cross brace accordingly by pulling/pushing right and left side of frame. Use 6mm allen wrench.



5. Loosen the rigidizer bar (C) by turning yellow knob (D). Depress push pin (E) and adjust width accordingly.



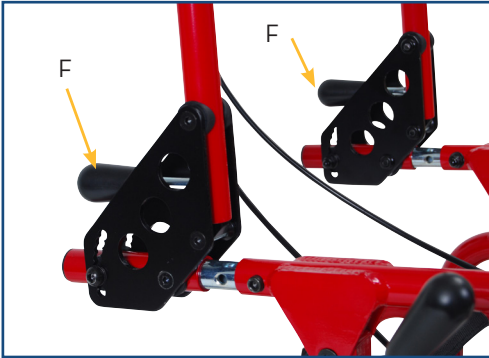
6. Bracket (below) needs to be mounted towards the outside for the 10" position. Remove allen screw on front of back cane and reverse bracket. Use 4mm allen wrench.



7. Reinstall screws from step 4.

## folding

1. Raise armrests.
2. Turn yellow rigidizer bar knob (D) to loosen bar.
3. Lift levers (F) and fold canes?
4. Lift strap on top of cross bar and press the side frames together.



## adjustments

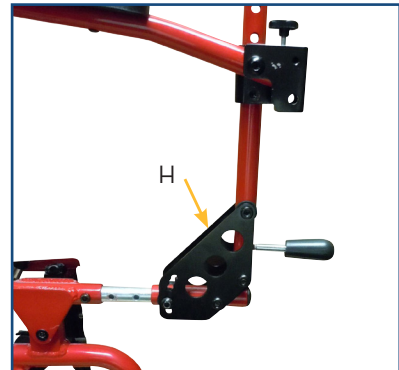
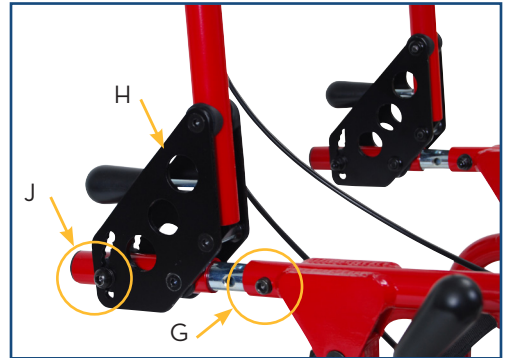
### Seat Depth

Seat depth can be adjusted by removing rear wheels and Allen screw (G) pushing/pulling seat rail to desired position and returning Allen screw. Use 5mm allen wrench.

Additional 3" can be achieved by reversing the backrest pivot plate (H)

### Seat to Back Angle

Seat to back angle can be adjusted by loosening Allen screw (J) on backrest pivot plate and moving the canes to the desired position. Use 5mm allen wrench.



### Armrests

Height can be adjusted by removing Allen screws (K) and raising or lowering black bracket. Return Allen screws and tighten. Angle can be adjusted by turning knob (L) clockwise or counterclockwise. Use 5mm and 6mm allen wrench.



### Anti Tippers

Height can be adjusted by pulling on chrome disc (N) to release anti tipper. Raise or lower to one of the five pre-drilled holes.



### Tilt-in-Space

Tilt can be achieved by pressing tilt-in-space release lever (Q) and pushing down on both handles.

### Push Handles

Height can be adjusted by loosening ratchet handle (M) and raising or lowering to desired position.

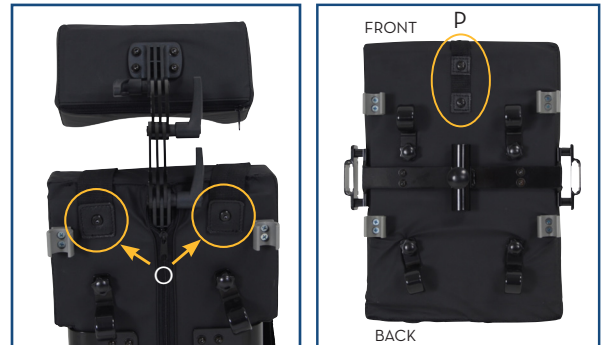


installing original kanga seating components.

### Five Point Harness:

Place shoulder straps over the top of back and fold over. Insert screws through straps into back (O) and tighten. Use 4mm allen wrench.

Fold crotch strap (P) under seat and insert screw through the strap and into seat pan. Use 4mm allen wrench.



**Pelvic straps:**

The pelvic straps have Velcro on the bottom side. Mount straps around frame as per diagram. .

**Headrest:**

Mount headrest onto back by inserting screws through plate and into back. Use 4mm allen wrench.

**Laterals:**

Mount laterals onto back by inserting screws through the mounting plates and into back. Use 4mm allen wrench.

**Footrests:**

Mount footrests hangars onto pins.



## Heel & Toe Loops

The heel and toe loops get installed by inserting screw through the front and back of the footplate and tightening the nut. Use 4mm allen wrench.



## Abductor/Hip Guides.

Insert the hip guides directly into brackets that are attached to the seat.



## Harness

The flat metal plate on the front end of the pelvic straps click into the bracket on the front end of the crotch strap. To remove push the red button and pull on strap.

The clip on the end of the shoulder strap clicks onto the bracket on the front end of the crotch strap.



## Seat & Back

Mount seat and then back by positioning grey frame clips (circled below) on the seat rails and back canes and clicking them into place.



Place four aluminum black seats and back brackets (circled below) over frame and fasten with knobs provided.



### Abductor:

Abductor fits into receiving tube under seat. Pull on spring loaded knob and insert abductor;



---

## general care

---

Wipe aluminum parts with a clean, soft cloth at least once a week. All metal parts can be cleaned with auto wax or similar products. If exposed to moisture, dry immediately. Do not use abrasive cleanser that will scratch the finish.

Tires should be cleaned occasionally with a damp cloth. Replace if tires become severely worn or cracking appears.

Front Wheels should be checked periodically and lubricated occasionally. Lubricate by removing fork and greasing caster stem bearings. Lubricate wheel bearings by removing wheel from fork. Reassemble fork and wheel by tightening nuts until no play remains, but wheels roll freely. If nut is too loose, wheel will shimmy, if too tight, chair will be hard to steer.

Rear Wheels should be inspected at least once a month and make sure it spins freely. To adjust the play, remove the wheel and with a wrench on the axle nut and on the flat end on the other side adjust the length of the axle until the wheel has the least amount of side play when the plunger pops out.

---

## warning

---

Wheelchair is designed to be safe and stable as long as center of gravity is maintained while going about normal activities. Care must be taken while performing activities that shift your center of gravity in the chair. Never reach so far that it requires you to shift in the seat or bend over out of the chair. When you have to reach for objects that require you to lean, be certain front wheels are pointing in a forward position that extends the wheel base and will stabilize the chair.

---

## warning

---

Do not attempt to operate on inclines or ramps 10° or greater without proper assistance. If you must stop on an incline, avoid sudden abrupt movement when you resume movement. Because of backward angle of the chair, sudden abrupt movement could cause instability. Attempting to use the wheel lock brakes could result in accidental locking, tipping to one side, or cause a sudden stop. Avoid changing direction when going down an incline, as this could result in instability or tipping over.

Do not operate this wheelchair on roadways, streets or any surfaces with vehicular traffic.

Be sure to completely engage wheel locks when getting in and out of wheelchair or when in elevator or wheelchair lift.

Do not adjust footrests any lower than 2.5" from floor.

When getting in or out of wheelchair, do not stand on or apply weight to footrests.

Do not lean over or apply weight to the top of wheelchair back. This can cause wheelchair to tip over. When trying to extend arms over back, only reach as far as your arm can extend without having to alter your seating position.

**DO NOT** stand on wheelchair.

Anti-tippers **MUST BE** attached at all times. Inasmuch as the **ANTI-TIPPERS** are an option on this wheelchair (you may order with or without the anti-tippers), Drive strongly recommends ordering the anti-tippers as an additional safeguard for the wheelchair user.

## limited lifetime warranty

Your Drive brand product is warranted to be free of defects in materials and workmanship for the lifetime of the original consumer purchaser.

This device was built to exacting standards and carefully inspected prior to shipment. This Lifetime Limited Warranty is an expression of our confidence in the materials and workmanship of our products and our assurance to the consumer of years of dependable service.

This warranty does not cover device failure due to owner misuse or negligence, or normal wear and tear. The warranty does not extend to non-durable components, such as rubber accessories, casters, and grips, which are subject to normal wear and need periodic replacement.

If you have a question about your Drive device or this warranty, please contact an authorized Drive dealer.



The logo features the word "drive" in a bold, blue, lowercase sans-serif font. Above the "i" in "drive" is the text "WenzeliteRe/hab" in a smaller, blue, sans-serif font. A small trademark symbol (TM) is located to the right of "WenzeliteRe/hab".

© 2012 Medical Depot, Inc. All rights reserved.  
Drive is a trademark of Medical Depot, Inc.  
Port Washington N.Y. 11050 USA Made in China