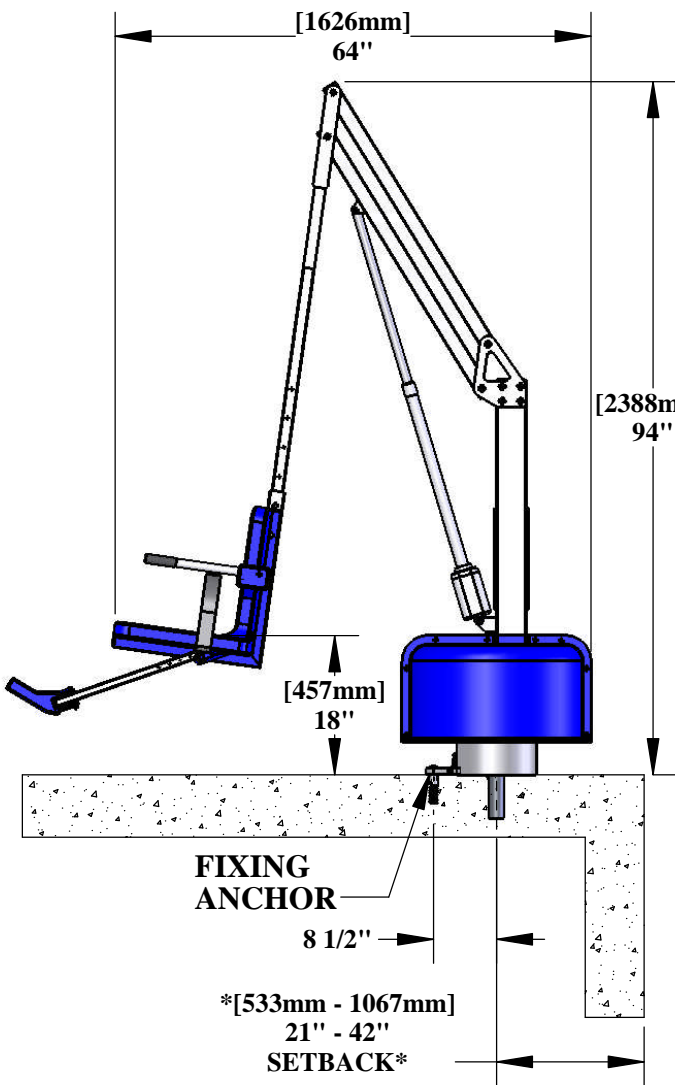
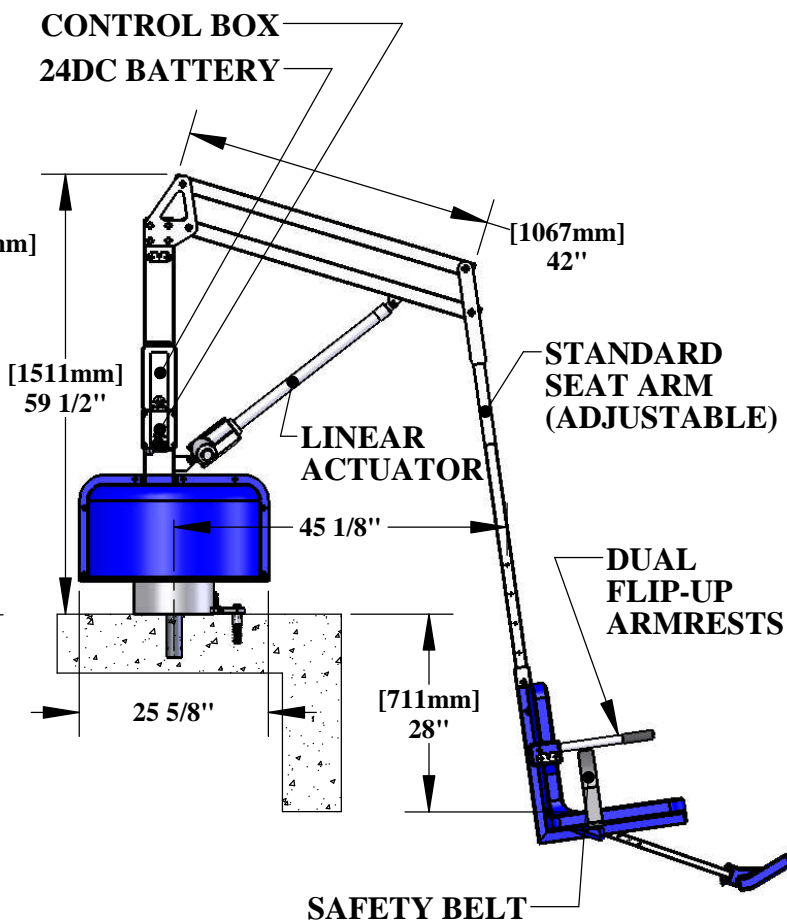


# THE REVOLUTION LIFT

US PATENT NO. D507,769 S



## IN-GROUND CONFIGURATION

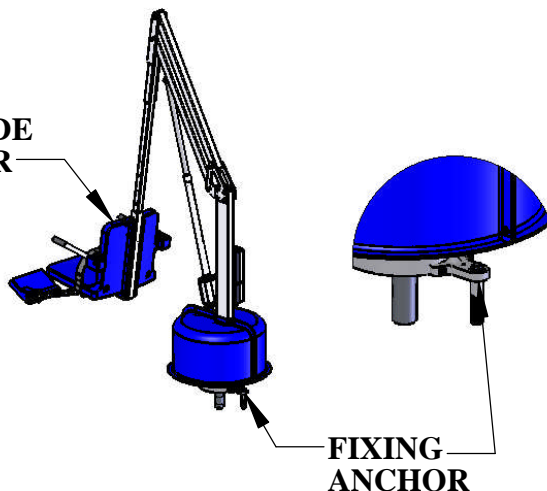


Inspected And Verified To Meet  
Applicable Sections of ADA  
Guidelines Section 1009.2 By

**wyle**  
laboratories

An ISO 9001:2008  
Registered Laboratory

22" WIDE  
CHAIR



FIXING  
ANCHOR

**\*NOTE: SETBACK IS FOR STANDARD (SHOWN) LIFT CONFIGURATION ONLY. FOR ACCESSORY SETBACKS, REFER TO INDIVIDUAL SPEC SHEETS.**

9889 GARRYMORE LANE  
MISSOULA, MT 59808  
(406) 549-0769  
FAX (406) 549-2602

NOTE:  
\*SPECIFICATIONS ARE SUBJECT TO CHANGE WITHOUT NOTICE  
\*ALL DIMENSIONS ARE IN INCHES



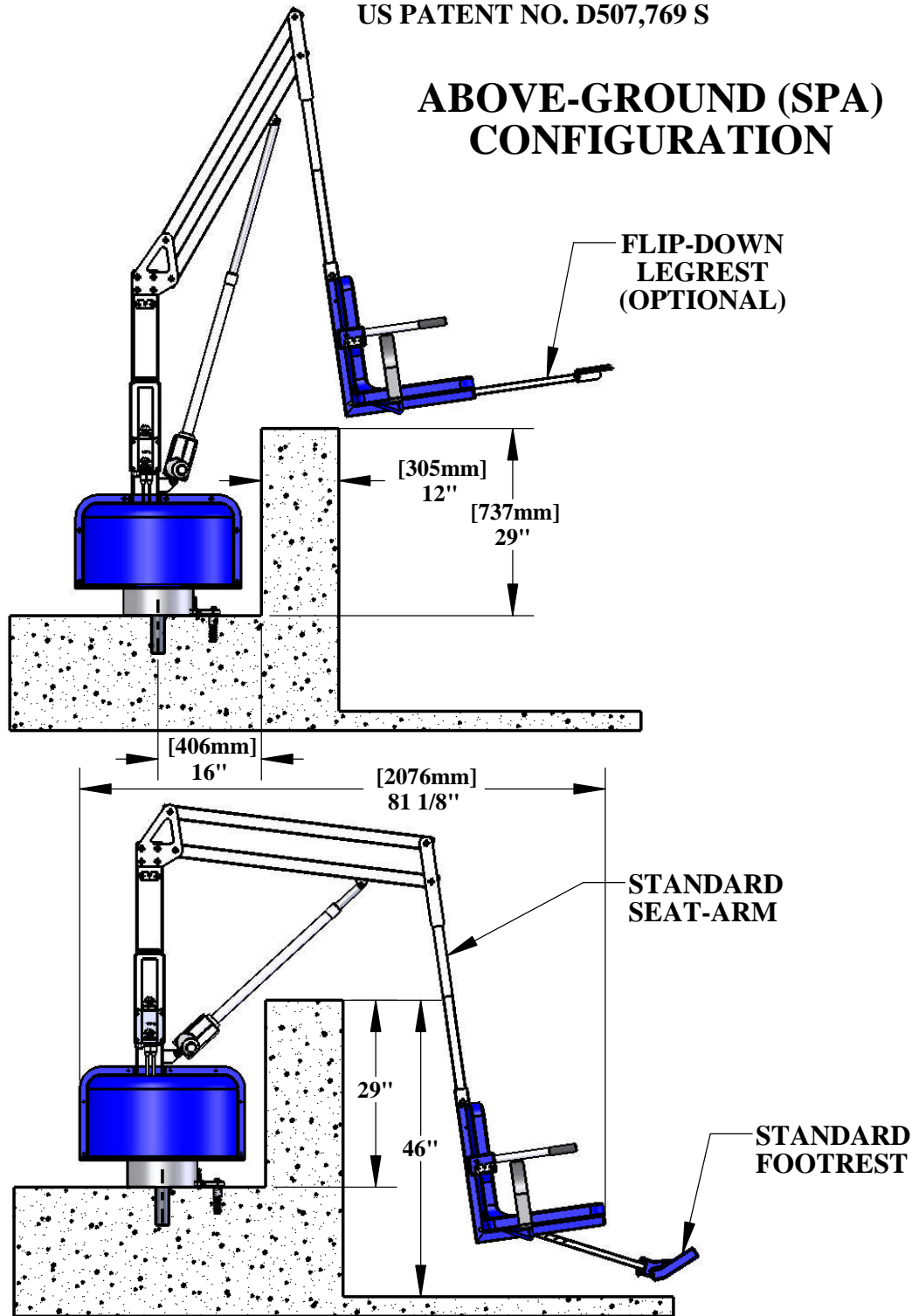
**Aqua Creek Products**  
The Total Solution for Pool and Spa Access

PRODUCT:	F-700RL		
DWG #:	F-700RL-1		
SCALE:	1:26	DATE:	11/21/14
DRAWN BY:	KR	REVISION:	W

# THE REVOLUTION LIFT

US PATENT NO. D507,769 S

## ABOVE-GROUND (SPA) CONFIGURATION



WITH THE SEAT MOUNTED AT ITS HIGHEST POSITION THE REVOLUTION LIFT WILL CLEAR A 29" [737mm] HIGH BY 12" [305mm] THICK WALL. THE SETBACK DISTANCE FOR THIS SITUATION IS 16" [406mm]. FOR OTHER APPLICATIONS AN OPTIONAL SPA SEAT-ARM IS AVAILABLE, MAKING IT POSSIBLE FOR THE REVOLUTION LIFT TO CLEAR UP TO A 48" [1219mm] HIGH WALL. AN OPTIONAL FLIP-DOWN LEGREST IS ALSO AVAILABLE FOR ABOVE-GROUND APPLICATIONS (SHOWN).

9889 GARRYMORE LANE  
MISSOULA, MT 59808  
(406) 549-0769  
FAX (406) 549-2602



**Aqua Creek Products**

The Total Solution for Pool and Spa Access

NOTE:  
\*SPECIFICATIONS ARE SUBJECT TO CHANGE WITHOUT NOTICE  
\*ALL DIMENSIONS ARE IN INCHES

PRODUCT:	F-700RL	
DWG #:	F-700RL-2	
SCALE:	1:26	DATE: 11/21/14
DRAWN BY:	KR	REVISION: W

# THE REVOLUTION LIFT

US PATENT NO. D507,769 S

## SPECIFICATIONS:

**LIFTING CAPACITY: 500lbs [227kg]**  
**STATIC LOAD CAPACITY: 750 lbs [340kg]**

**MAXIMUM WATER DRAFT (DECK TO WATER): 10" [254mm]**  
**MAXIMUM SETBACK: 42" [1067mm]**

**WEIGHT: 180 lbs [82 kg]**

## **MATERIALS:**

**BASE: TYPE 304 STAINLESS STEEL, PVC, CONCRETE, RUBBER**  
**MAST & ARMS: TYPE 304 STAINLESS STEEL**  
**CHAIR & FOOTREST: LOW-DENSITY POLYETHYLENE**  
**SAFETY BELT: HEAVY-DUTY POLYESTER STRAP, HOOK & LOOP FASTENER**  
**POWDER COATING: OFF-WHITE POLYESTER**  
**FIXING ANCHOR-TAB: HIGH-DENSITY POLYETHYLENE**

## **STANDARD EQUIPMENT:**

**FLIP-UP ARMRESTS**  
**FLIP-UP FOOTREST**  
**22" WIDE CHAIR**  
**ELECTRONICS COVER**

**24V BATTERY & CHARGER**  
**WATER RESISTANT HANDSET/REMOTE**  
**SAFETY BELT**

## **ACCESSORIES:**

**CHEST STRAP**  
**DECK ANCHOR**  
**HEADREST**  
**SLING SEAT**  
**TRANSPORT CART**  
**UPGRADE PACK**  
**WHEELCHAIR ATTACHMENT**

**CYCLE ATTACHMENT**  
**GURNEY ATTACHMENT**  
**LOCKABLE COVER**  
**PULL-OUT LEGREST**  
**SPINEBOARD ATTACHMENT**  
**SOLAR CHARGING STATION**



9889 GARRYMORE LANE  
MISSOULA, MT 59808  
(406) 549-0769  
FAX (406) 549-2602

NOTE:  
\*SPECIFICATIONS ARE SUBJECT TO CHANGE WITHOUT NOTICE

PRODUCT:	<b>F-700RL</b>	
DWG #:	<b>F-700RL-3</b>	
SCALE:	<b>1:1</b>	DATE: <b>11/21/14</b>
DRAWN BY:	<b>KR</b>	REVISION: <b>W</b>