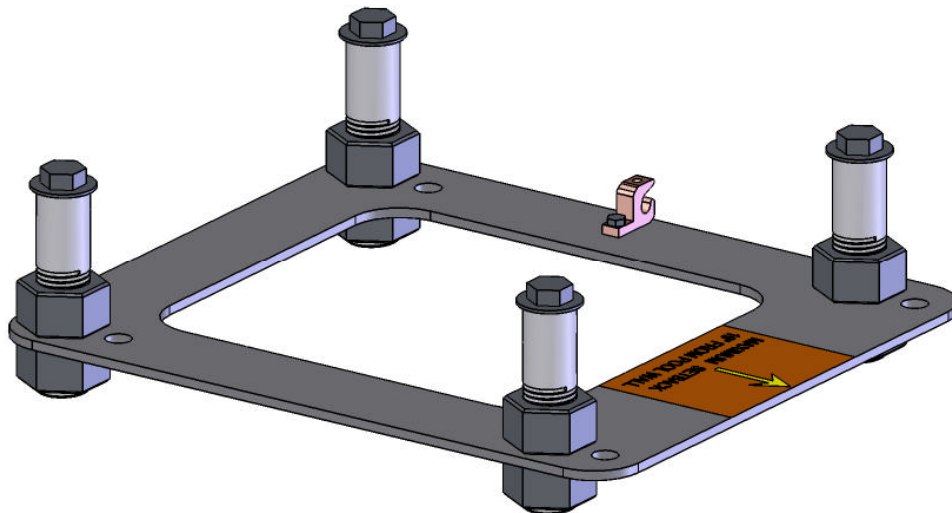




# Aqua Creek Products

The Total Solution for Pool and Spa Access



## INSTALLATION INSTRUCTIONS AT-SERIES ANCHOR ASSEMBLY PART NUMBER: F-04CAJP 450 LB. [204kg] MAXIMUM CAPACITY (PRO POOL LIFT)

### **- WARNING -**

#### **IMPORTANT SAFETY INSTRUCTIONS**

- 1. READ AND FOLLOW ALL INSTRUCTIONS. LIFT SAFETY CAN ONLY BE ENSURED IF THE LIFT IS INSTALLED AND OPERATED PROPERLY – ACCORDING TO THESE INSTRUCTIONS.**
- 2. TO REDUCE THE RISK OF INJURY, DO NOT PERMIT CHILDREN TO USE THIS PRODUCT UNLESS THEY ARE CLOSELY SUPERVISED AT ALL TIMES.**
- 3. DO NOT PERMIT CHILDREN TO PLAY ON OR AROUND THIS PRODUCT.**
- 4. NEVER APPLY DIRECT WATER PRESSURE TO THE ELECTRONIC COMPONENTS.**
- 5. SAVE A COPY OF THESE INSTRUCTIONS IN A SAFE AND EASILY ACCESSIBLE PLACE.**

**AQUA CREEK PRODUCTS**  
9889 GARRYMORE LANE  
MISSOULA, MT 59808  
1-888-687-3552  
FAX: 406-549-2602

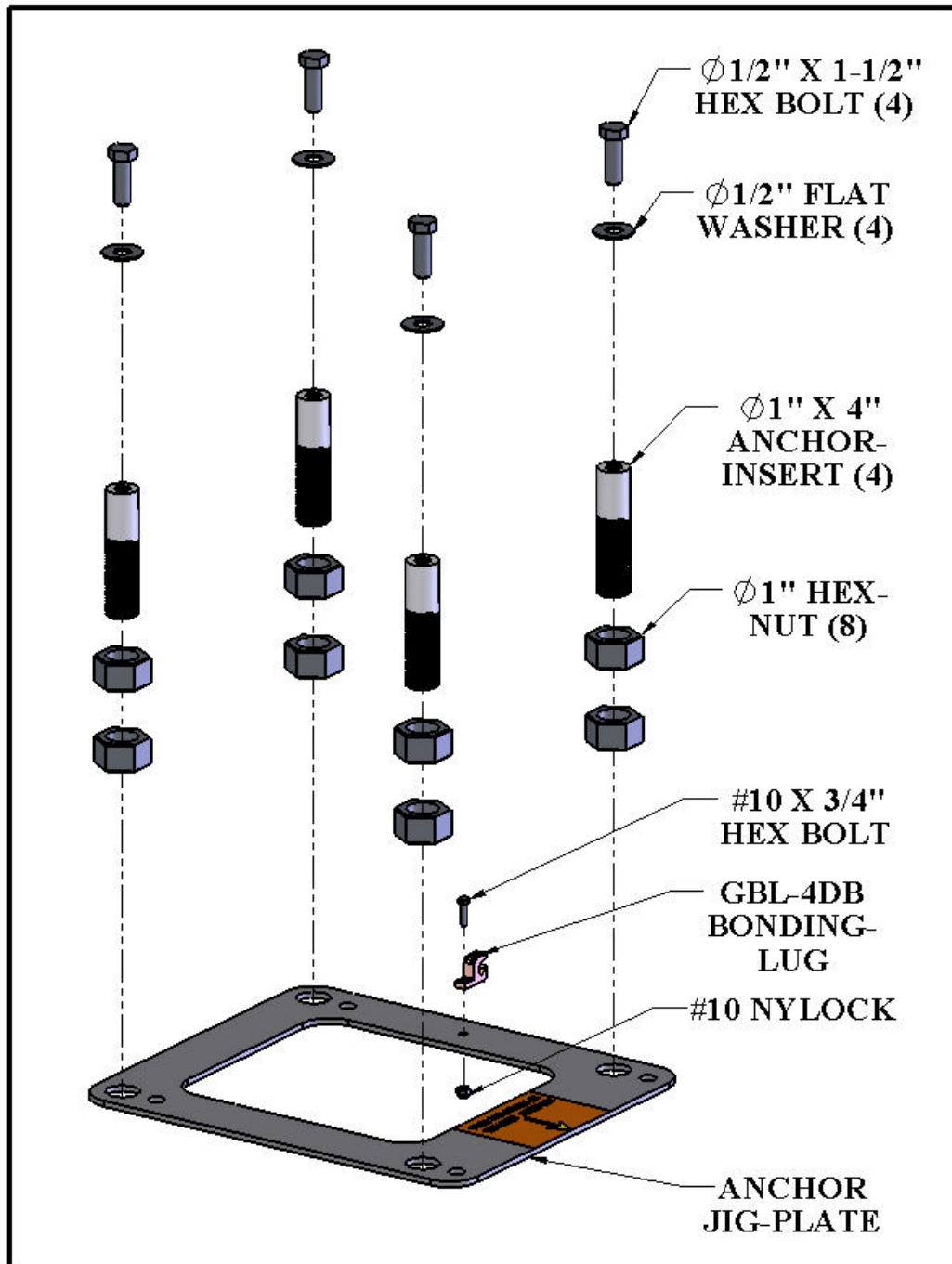
Inspected And Verified To Meet  
Applicable Sections of ADA  
Guidelines Section 1009.2 By

**wyle**  
laboratories

A Registered ISO 9001  
Laboratory

## AT ANCHOR ASSEMBLY:

The AT ANCHOR ASSEMBLY will come fully disassembled. Review the diagram below to familiarize yourself with the components before beginning the installation. The anchor assembly is used in different ways, depending on your type of installation. For instance the ANCHOR JIG-PLATE can be used as a template to mark the holes for retrofitting, to hold the ANCHOR INSERTS at the proper spacing as the epoxy cures (see RETROFIT INSTALLATION), or as a permanent part of the installed/embedded assembly.



# ANCHOR INSTALLATION: CORE-DRILL RETRO-FIT

## Required Materials & Tools:

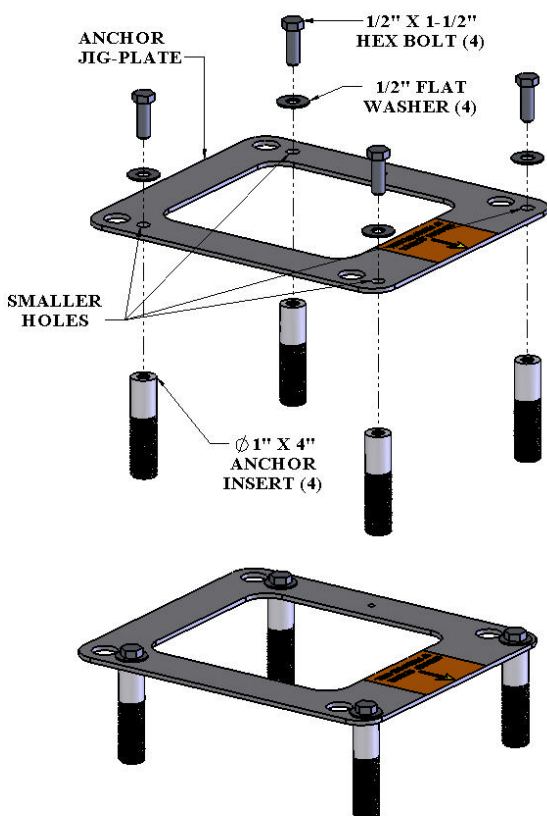
- Core drill and 1-1/2" core drill bit
- Tape Measure
- Marking Pen suitable for writing on concrete
- Hammer
- Cold Chisel
- Torpedo Level
- High Strength 2 part construction epoxy\*
- Black electrical tape (Optional)
- Masking tape



\*Aqua Creek recommends either Hilti™ Brand HIT HY-150 or Simpson™ brand ET22 Strong Tie or equivalent

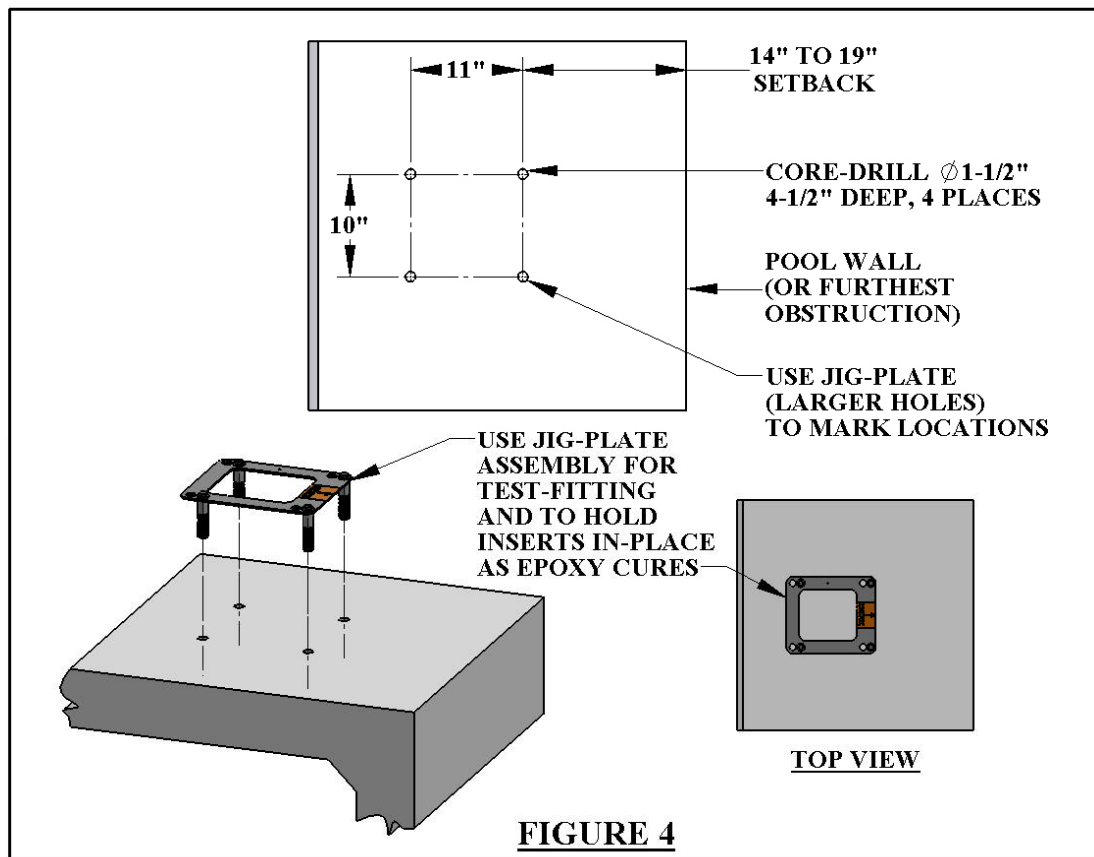
- 1) Locate the anchor plate, four (4) anchor inserts with nuts and mounting hardware. (Sold separately, part number F-433PP4A - See picture).
- 2) Using the larger holes in the anchor plate as a template, mark the four hole locations with a marking pen on the pool deck. Verify that the **CENTER LINE** of the front anchors are no more than 19 inches from the pools edge. See **FIGURE 1, page 4**.
- 3) Using the core drill and the 1-1/2" core drill bit, drill out the four hole locations marked on the pool deck to a depth of about 4 1/2".
  - a. **NOTE:** You can use black electrical tape on the end of the drill bit as a visual marker to indicate the proper depth that you need to drill to.

- b. **NOTE:** Depending on your local grounding requirements, you may need to drill one hole larger than the others so that you can ground at least one of the anchor inserts. In some cases saw cutting a portion of the deck out completely might be required. In this case, follow the "Saw Cutting Retro-Fit Instructions".



- 4) Remove the core from the holes using a hammer and chisel. The holes should be completely dry and clear of any debris before installing the anchors into them.
- 5) Remove the nuts from the threaded anchor inserts and the black protective cover from the end of the anchor insert exposing the internal threads that will accept the mounting hardware.
- 6) Using the smaller holes in the anchor plate, thread the mounting hardware through the anchor plate holes and into the ends of the four anchor inserts so that the tops of the inserts are flush with the **BOTTOM** of the plate (see diagram on left). **IMPORTANT:** Use the enclosed packet of anti seize on the threads of the hardware to prevent the hardware from seizing in the anchor inserts.
  - a. **NOTE:** It is recommended that you apply tape to the bottom of the anchor plate around the holes so that when and if the two part epoxy oozes out of the holes that it does not secure the anchor plate to the pool deck.

- 7) Allow for a way to bond at least one of the anchor inserts according to your local code requirements. This is typically accomplished with 8-AWG solid-copper wire attached to the pool's bonding grid. For more information see NEC Article 680.26.
- 8) Before putting epoxy into the holes and setting the anchor inserts, you will want to test fit the anchor inserts in the pre-drilled holes first to make sure they line up properly. You can do this by picking up the anchor plate with the four (4) anchor inserts attached to the underside and carefully place them into the four holes drilled in the deck. Using a torpedo level on the plate, verify that you can level up the anchor system. If they do not line up you may have to enlarge your holes.
- 9) After verifying that the anchor inserts line up with the holes properly and you can level the anchor assembly, remove the anchor assembly and fill each hole in the pool deck at least half full of two part construction epoxy (not included). *Aqua Creek recommends either Hilti™ Brand HIT HY-150 or Simpson™ brand ET22 Strong Tie or equivalent.*
- 10) Pick up the anchor assembly with the four (4) anchor inserts attached to the underside and carefully place them into the four holes drilled in the deck. As you place the anchor inserts that are attached to the anchor plate, wiggle the anchor system a little to make sure the epoxy gets on all sides of the anchor inserts.
- 11) Once the anchor inserts are placed into the holes, use a small torpedo level on the anchor plate to make sure you are level and plumb.
- 12) Allow the epoxy to set up according to the manufacturers recommendations and remove the hardware and the anchor plate. You can now safely mount the lift to the anchor system using the same hardware you used to mount the anchor inserts to the underside of the anchor plate. The anchor plate can be recycled or used for installing a second set of anchors in another location.



# ANCHOR INSTALLATION: SAW-CUT RETRO-FIT

## Required Materials & Tools:

- Concrete saw with Diamond blade
- Tape Measure
- 4' long Straight edge or chalk line
- Sledge Hammer
- Cold Chisel
- Torpedo Level
- Sting line
- Concrete & Concrete tools
- #4 Rebar

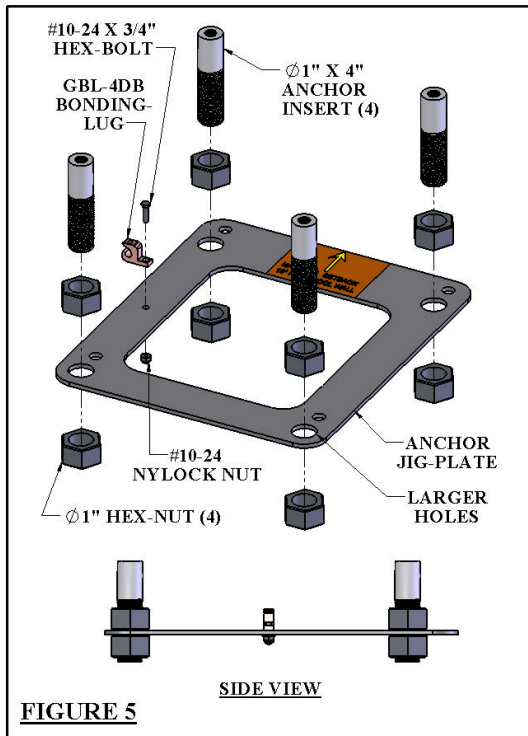


FIGURE 5

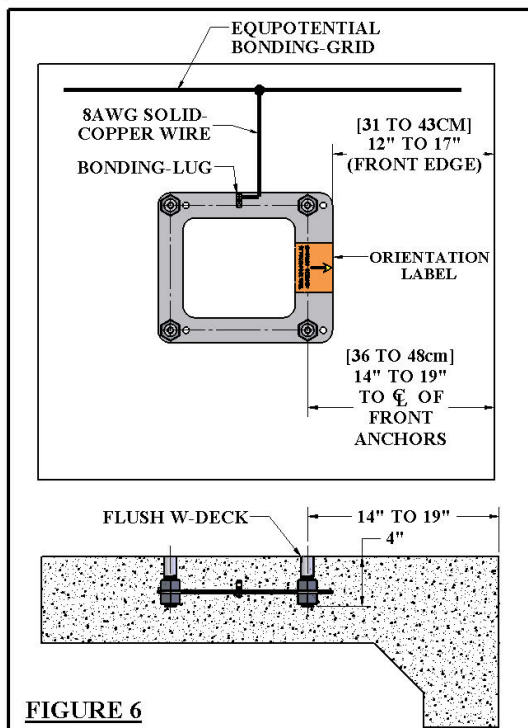


FIGURE 6

- 1) Locate the anchor plate, four (4) anchor inserts with nuts and mounting hardware). (Sold separately from lift, part number F-433PP4A - See picture).
- 2) Mark out a section of the pool deck that you are removing using a chalk line or straight edge and a marker. You should plan on removing at least a Three foot by three foot section.
- 3) Using the saw with the diamond blade, make your cuts along the lines that you marked.
- 4) Using the sledge hammer, break up the concrete within the area that you cut and remove the pieces.
- 5) After you have removed the portion of the deck, verify that your new deck will be able to be at least 10 inches deep.
- 6) Remove ONE of the nuts from each of the anchor inserts and place the anchor inserts through the larger holes in the anchor plate. Thread the nut back on the other side of the anchor insert so that the anchor plate is sandwiched between the nuts. (See diagram on left).
- 7) Install rebar in the open area of the deck. Tie the rebar into the existing deck if possible.
- 8) Set the anchor system in place making sure that the center line of the front anchor inserts are no more than 19 inches away from the pools edge.
- 9) Using the string line or a straight edge, make sure the top of each anchor body is level and flush with the **FINISHED** deck surface. Each anchor body can be adjusted individually by turning the nuts with a large wrench.
- 10) Bond the anchor system using the bonding lug on the anchor plate. The anchor should be bonded to the pool's bonding-grid according to your local code requirements. (See NEC Article 680.26).
- 11) Pour your concrete and finish the pool deck surface.
- 12) Once the concrete has cured, install the lift by aligning the holes in the lifts base with the anchors installed in the deck. Secure the lift to the deck using the stainless steel hardware that comes with it. (See drawing below)

a. NOTE: Use Anti Seize on the hardware to prevent the hardware from seizing in the anchor inserts.

# ANCHOR INSTALLATION: NEW CONSTRUCTION

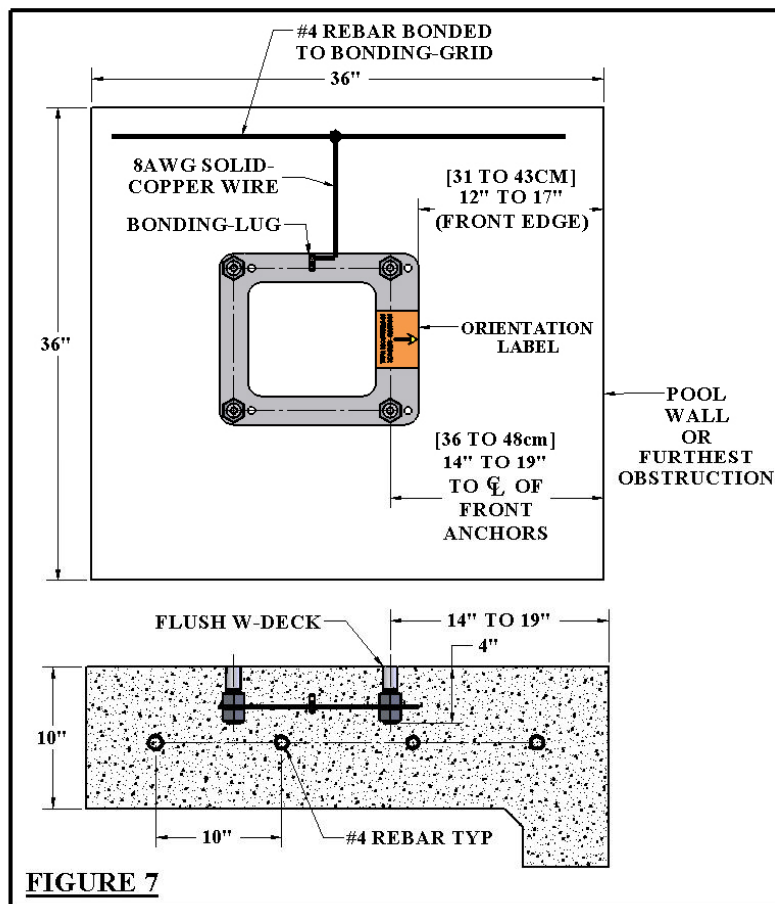
For installations where a new deck is being poured, or where a dedicated pad is being poured just for the pool lift, the concrete must satisfy the requirements outlined on page 4. For convenience here are the requirements again;

**YOUR POOL DECK MUST BE AT LEAST 3-FEET LONG BY 3-FEET WIDE BY 10-INCHES THICK. IT MUST BE REINFORCED WITH #4 REBAR ON 10-INCH CENTERS IN BOTH DIRECTIONS.**

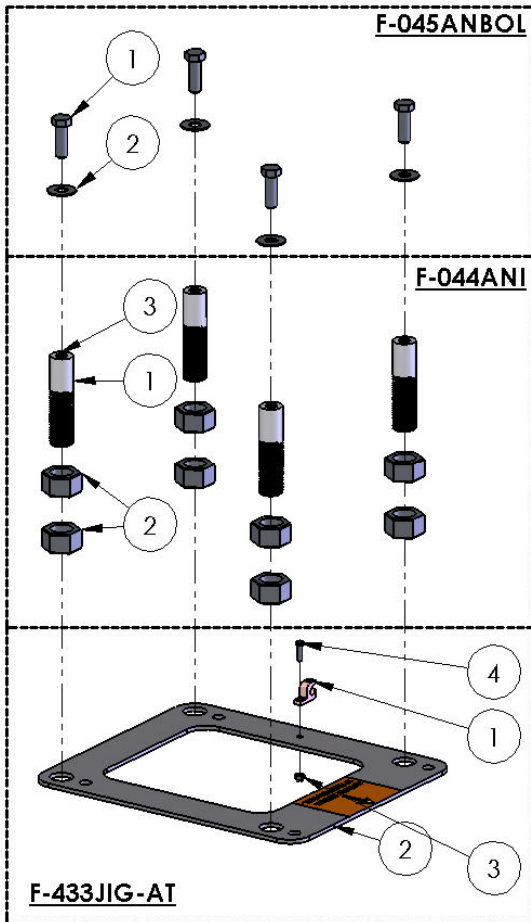
Obviously you may make the deck larger than this – which is almost always the case when putting in a deck that surrounds the pool. Note that the entire deck does not need to be 10” thick, but that the area around the installed lift, 3’ by 3’, should be 10” thick at a minimum. The rest of the deck may be thinner – 4” is typical – as long as it is 10” thick around the lift.

The entire deck should be reinforced with #4 rebar on 10” centers in both directions, which is also common for this type of structure. Our minimum requirement is that the 3’ by 3’ section be reinforced accordingly, but it is good practice to extend the rebar grid over the entire deck. Commonly, the rebar grid is used for grounding/bonding also. Bonding of the lift can usually be accomplished with a length of bare, 8 AWG solid, copper wire, connected to a piece of the rebar with an approved fitting and then connected to the grounding lug on the anchor plate. Note; this is only effective when the rebar grid itself has been bonded (attached to the pool’s equipotential bonding grid with 8-AWG solid-copper wire). See NEC Article 680.26.

**CHECK YOUR LOCAL ELECTRICAL CODE: BONDING REQUIREMENTS FOR POOL EQUIPMENT. ALWAYS BOND THE UNIT PER LOCAL ELECTRICAL CODES.**



## F-04CAJP: AT ANCHOR ASSEMBLY PARTS LIST



F-045ANBOL: ANCHOR BOLTS SET OF 4 W/SS WASHERS & ANTI SIEZE

ITEM NO.	QTY.	PART NUMBER	DESCRIPTION
1	4	BOLT,1/2-13 X 1-1/2 HCS SS	BOLT, 1/2"-13 X 1-1/2" HCS SS
2	4	FLATWASHER1/2SS316	1/2" FLAT WASHER, 316 SS
3	1	ANTI SIEZE PACKET, .75	ANTI SIEZE PACKET, 5 GRAMS

F-044ANI: ANCHOR INSERTS (SET OF 4)

ITEM NO.	QTY.	PART NUMBER	DESCRIPTION
1	4	P-7200ANB	PRO POOL ANCHOR INSERT
2	8	NUT 1" ZINC HEX	1"-8 HEX NUT, ZINC
3	4	PIP-1/2-TAB	THREAD PROTECTOR CAP, BLACK

F-433JIG-AT: AT JIG-PLATE ASSEMBLY

ITEM NO.	QTY.	PART NUMBER	DESCRIPTION
1	1	GBL-4DB	IN GROUND GROUNDING LUG
2	1	P-004CPPJP-A	JIG PLATE FOR AT STYLE LIFTS
3	1	NYLOCK#1024316SS	#10-24 NYLOCK NUT, SS
4	1	BOLT#1024X3/4"SHCSSS	#10-24 X 3/4" SOC-HD CAP-SCREW, 316SS
5	1	LABEL #59	MAXIMUM SETBACK 19"

# **Aqua Creek Products, LLC Limited Warranty:**

## **AT-SERIES Lift: Anchor Kit**

Aqua Creek Products lifts have a **Limited Lifetime Warranty** on the frames, not including the powder coat finish. Aqua Creek Products, LLC (a.k.a. Aqua Creek) also warrants to the original end user that all non-frame components manufactured by Aqua Creek, when properly installed in accordance with assembly and installation instructions, and properly used and maintained, shall be free from defects in material and workmanship for a period of five (5) years from the date of original purchase, provided that Aqua Creek receives prompt notice in writing of any defect or failure and satisfactory proof thereof, with the following exceptions:

Exception : All electrical components, including the linear actuator shall have the following warranty period:

Year 1-2: 100% Coverage

Year 3: 60% Coverage (Customer is responsible for 40% of replacement cost)

Year 4: 50% Coverage (Customer is responsible for 50% of replacement cost)

Year 5: 40% Coverage (Customer is responsible for 60% of replacement cost)

This warranty specifically excludes reimbursement for labor to remove, repair, or install the product and any return freight charges.

These warranties do not cover any damages due to accident, misuse, abuse, negligence or failure to properly maintain any products, or normal wear and tear from day to day operations. In the event that any products are altered, repaired, or improperly installed or improperly used by anyone without the prior written approval by Aqua Creek, all warranties are void. **IMPORTANT: AMOUNT OF WEIGHT PLACED ON LIFT SHALL NOT EXCEED THE RATED LIFTING CAPACITY (450 POUNDS [204 kg] FOR THE PRO POOL LIFT, 350 POUNDS [159kg] FOR THE RANGER LIFT). NEVER OPERATE THE POOL LIFT UNDER LOAD IN A DRY POOL (WITH NO WATER IN THE POOL).**

To initiate a warranty claim, the owner of an Aqua Creek product must provide the place of purchase, in writing, with a full description of the product, its serial number, the dates of purchase and installation, and the exact nature of the defect. Within thirty (30) days after receipt of a written warranty claim by Aqua Creek, and barring any unforeseen delays, the place of purchase will be notified of Aqua Creek's decision regarding the claim.

If requested by Aqua Creek, any defective product must be returned, freight prepaid, to Aqua Creek's designated factory location or duly appointed distributor for inspection and/or repair. Aqua Creek will, at its option, repair or replace the failed or defective item, and deliver the repaired product or replacement to the buyer of the product, freight prepaid to the destination provided for in the original order. Products returned to Aqua Creek for which Aqua Creek provides replacement under this limited warranty shall become the property of Aqua Creek.

A new warranty period shall NOT be established for the repaired or replaced products. Such products shall remain under warranty only for the remainder of the original warranty period on the original products purchased.

This written limited warranty constitutes the final, complete and exclusive statement of warranty terms. No person or organization is authorized to make any other specific or implied warranties or representations on behalf of Aqua Creek.

THE WARRANTIES SET FORTH HEREIN ARE IN LIEU OF ALL OTHER WARRANTIES, EXPRESSED OR IMPLIED, WHICH ARE HEREBY DISCLAIMED AND EXCLUDED, INCLUDING WITHOUT LIMITATION ANY WARRANTY OF MERCHANTABILITY OR FITNESS FOR A PARTICULAR PURPOSE OR USE.

THE SOLE AND EXCLUSIVE REMEDIES FOR BREACH OF ANY AND ALL WARRANTIES WITH RESPECT TO THE PRODUCTS SHALL BE LIMITED TO REPAIR OR REPLACEMENT AT AQUA CREEK'S DESIGNATED FACTORY LOCATION, OR DULY APPOINTED DISTRIBUTOR, OR IN PLACE AT AQUA CREEK'S OPTION. IN NO EVENT SHALL AQUA CREEK'S LIABILITY EXCEED THE ENTIRE AMOUNT PAID TO AQUA CREEK BY THE ORIGINAL PURCHASER FOR THE FAILED OR DEFECTIVE PRODUCT.

IN NO EVENT SHALL AQUA CREEK PRODUCTS, LLC BE LIABLE FOR ANY INCIDENTAL, CONSEQUENTIAL, SPECIAL, INDIRECT, PUNITIVE OR EXEMPLARY DAMAGES OR LOST PROFITS FROM ANY BREACH OF THIS LIMITED WARRANTY OR OTHERWISE.

THIS WARRANTY GIVES YOU SPECIFIC LEGAL RIGHTS AND YOU MAY ALSO HAVE OTHER RIGHTS, WHICH MAY VARY FROM STATE TO STATE.

SOME STATES DO NOT ALLOW THE EXCLUSION OR LIMITATION OF INCIDENTAL, SPECIAL OR CONSEQUENTIAL DAMAGES, SO SOME OF THE ABOVE LIMITATIONS OR EXCLUSIONS MAY NOT APPLY TO YOU.

Aqua Creek Products  
9889 Garrymore Lane  
Missoula, MT 59808