

# Operation Instruction

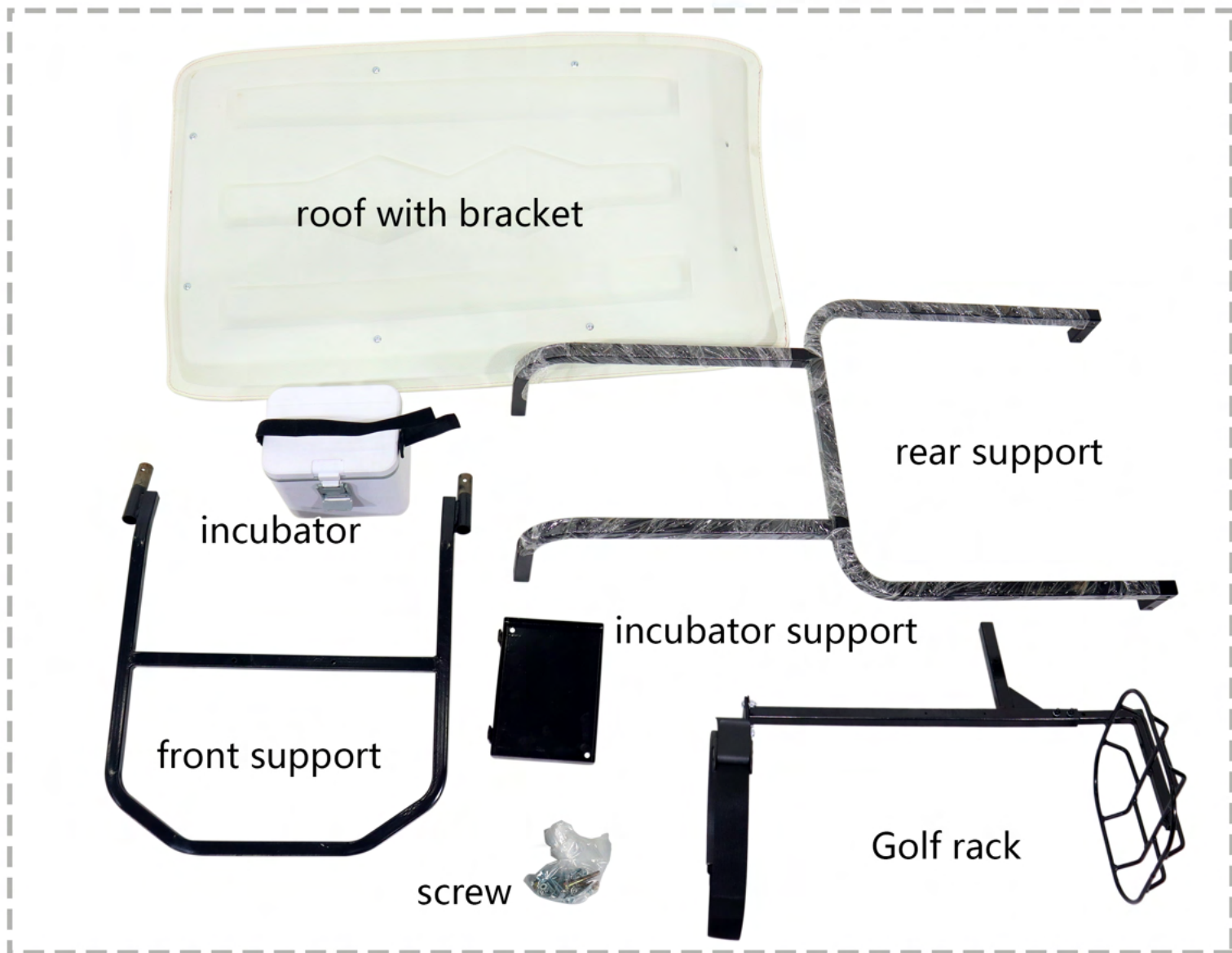
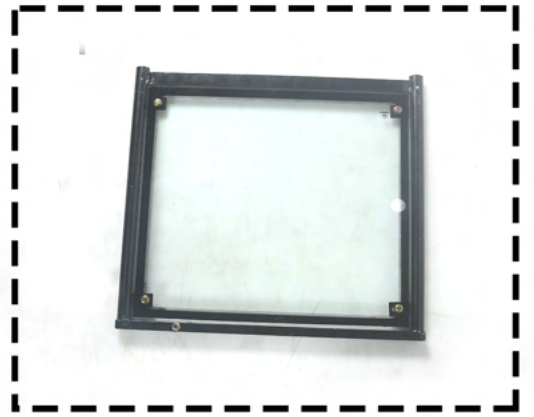




scooter



front windshield



roof with bracket

incubator

rear support

front support

incubator support

screw

Golf rack

## Fastening Classification Diagram

M8\*40 cylinder hexagon screw  
M8 cap nut  
M8 flat pad  
\*2 sets



install the faucet handle

M10\*40 cylinder hexagon screw  
\*2 sets



install under the front support

M10\*40 cylinder hexagon screw\*2  
M10\*80 cylinder hexagon screw\*2  
M10 self locking nut\*4  
M10 flat pad\*4




install under the rear support

M6\*40 half round hexagon screw  
M6 cap nut  
M6 flat pad  
\*2 sets



install the glass

M8\*65 cylinder hexagon screw  
M8 cap nut  
M8 flat pad  
\*2 sets



install the front roof bracket


install the rear roof bracket  
M8\*45 cylinder hexagon screw  
M8 cap nut  
M8 flat pad  
\*4 sets




M8\*40 cylinder hexagon screw  
M8 cap nut  
M8 flat pad  
install the Golf rack




M6\*40 countersunk head hexagon socket screw  
M6 cap nut  
M6 flat pad  
\*2 sets  
install the incubator support




### TRIPS:




length-40  
diameter-6




diameter-6




diameter-6



cylinder hexagon screw



half round hexagon screw



countersunk head hexagon socket screw



seat



charger



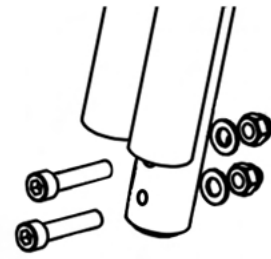
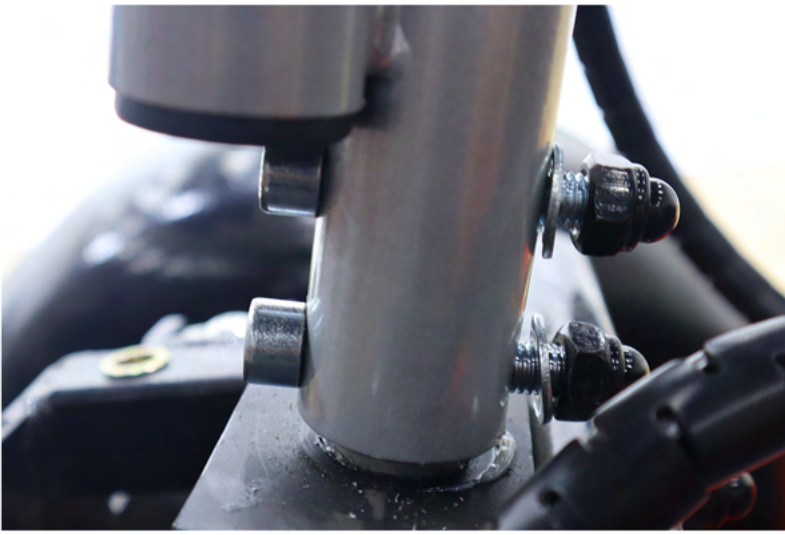
battery



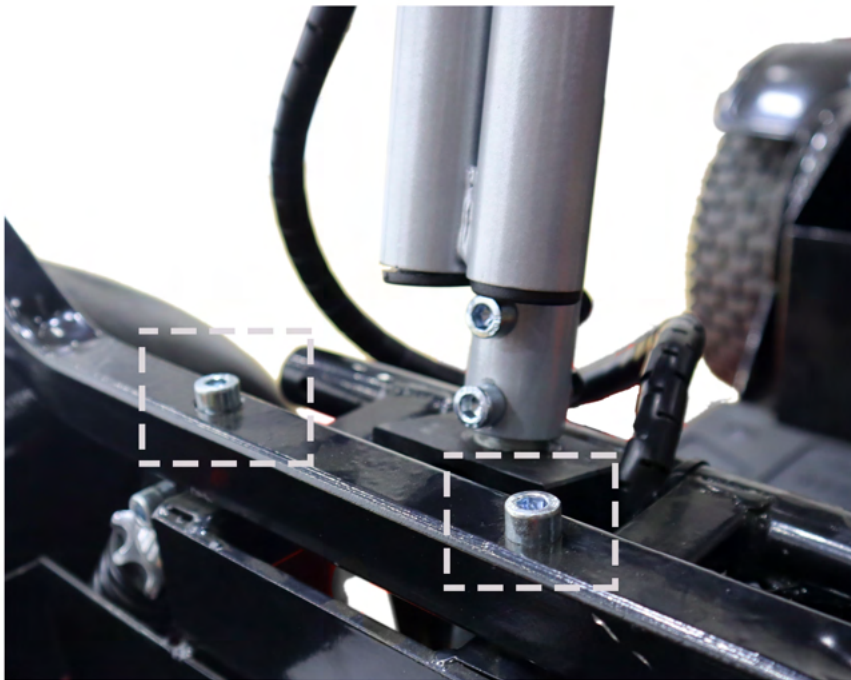
Insert the faucet tube.



↑ Grasp the faucet handle and move out of the scooter slowly.



➔ Install the screw of the faucet handle.



➔ Install front support. Tighten the screws.

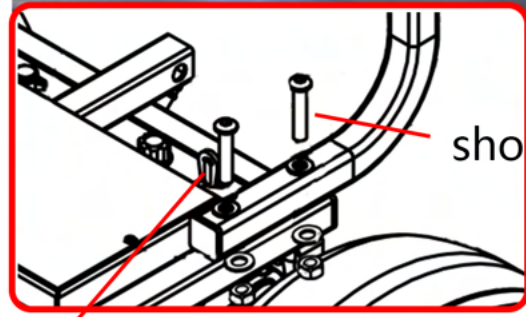
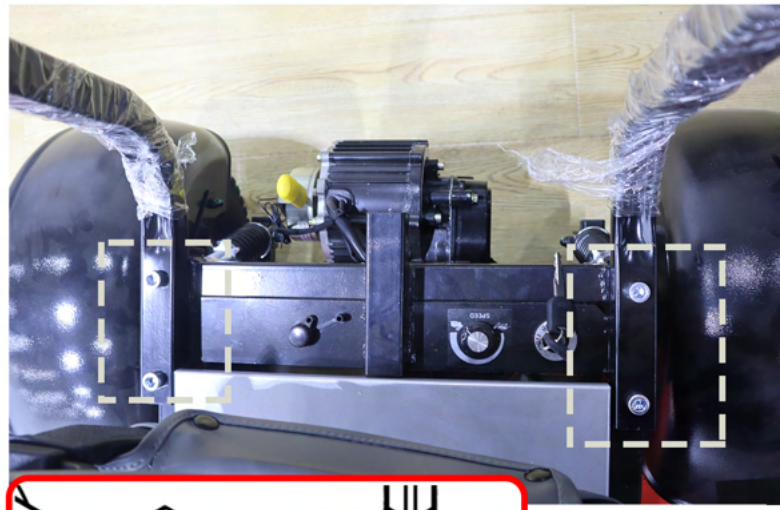


➔ Pull the push rod under the seat to fix the seat.





➔ Install rear bracket

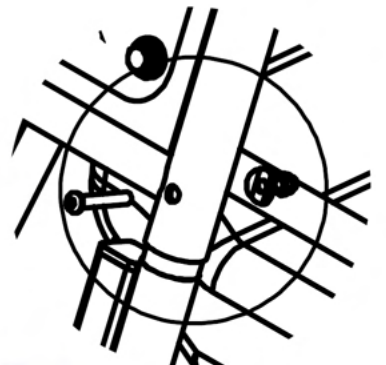


short screw

long screw



➔ Install glass.  
Tighten the screws.



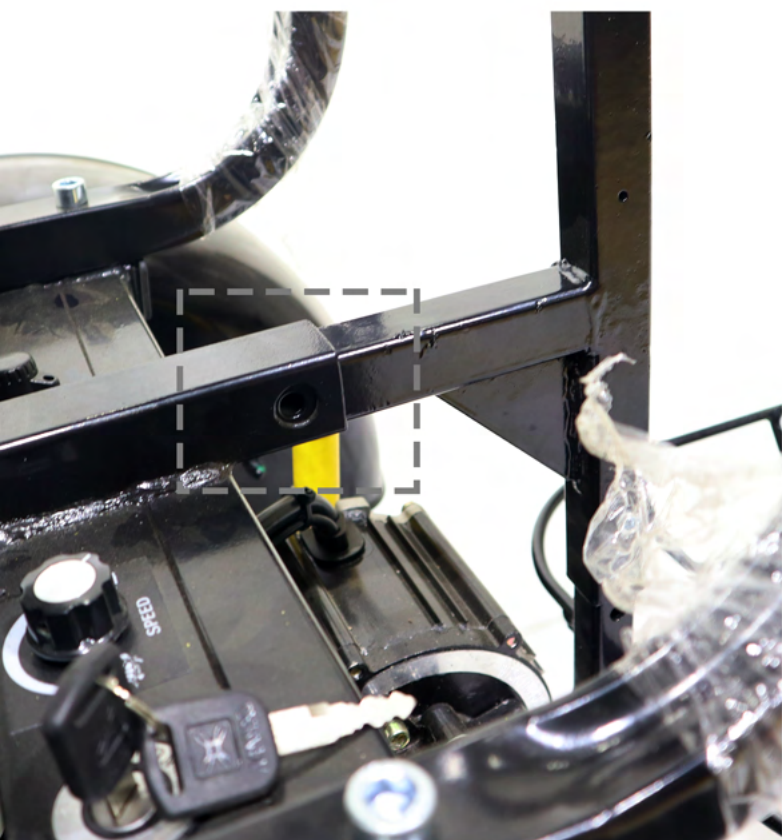
Pay attention to the front and rear of the roof.  
Install two parts as shown in the figure.  
Tighten the screws.

front

rear

step1:  
Install the screws  
from bottom to top

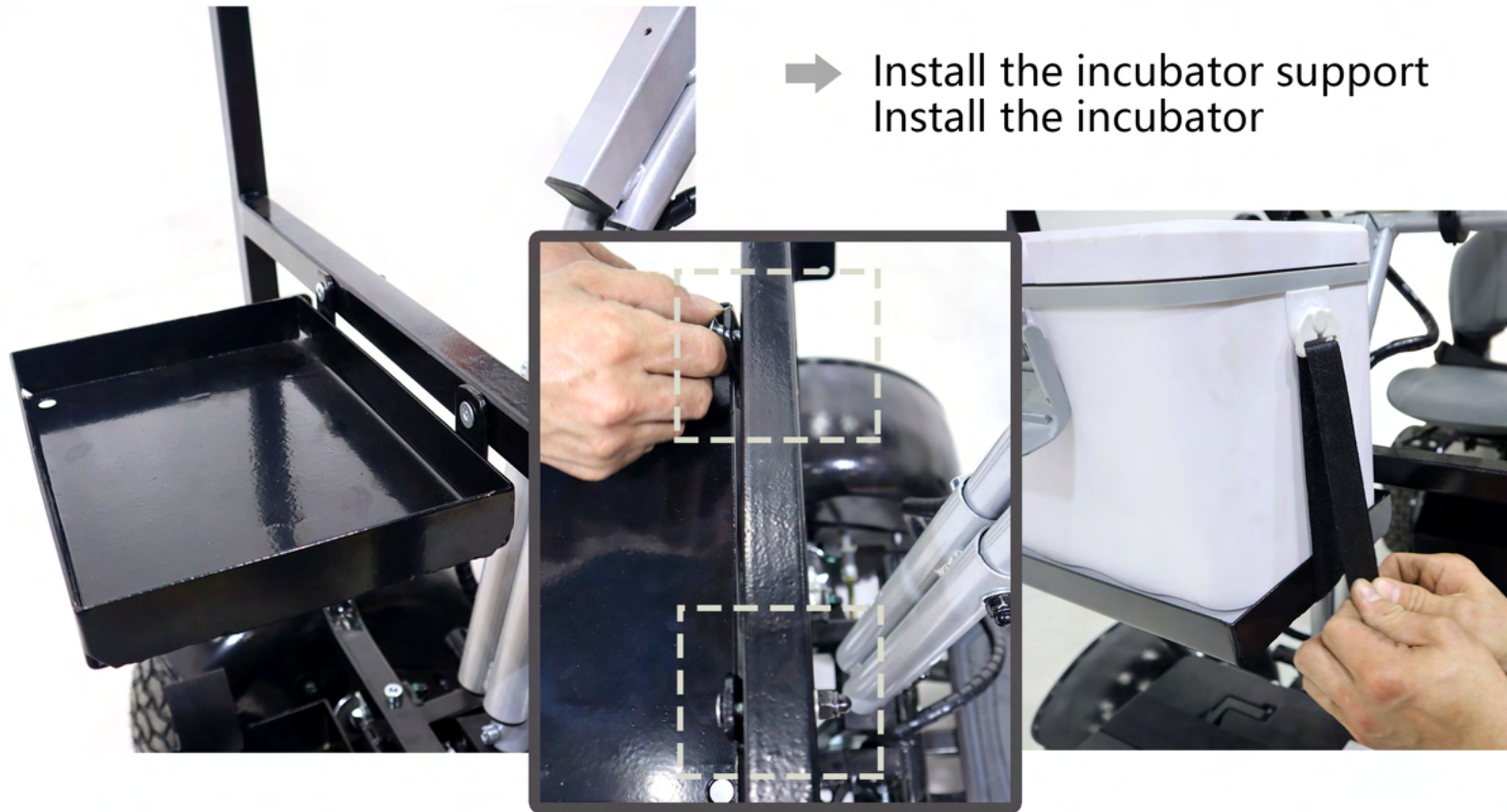
step2:  
Install the screws  
from the outside to the inside



Install the Golf Stand.



- ➔ Install the incubator support  
Install the incubator



- ➔ Put the battery into the battery compartment.  
➔ Fixed battery.  
➔ Connect the battery cable.

