



**SB1  
ShowerBuddy  
Owners Manual**

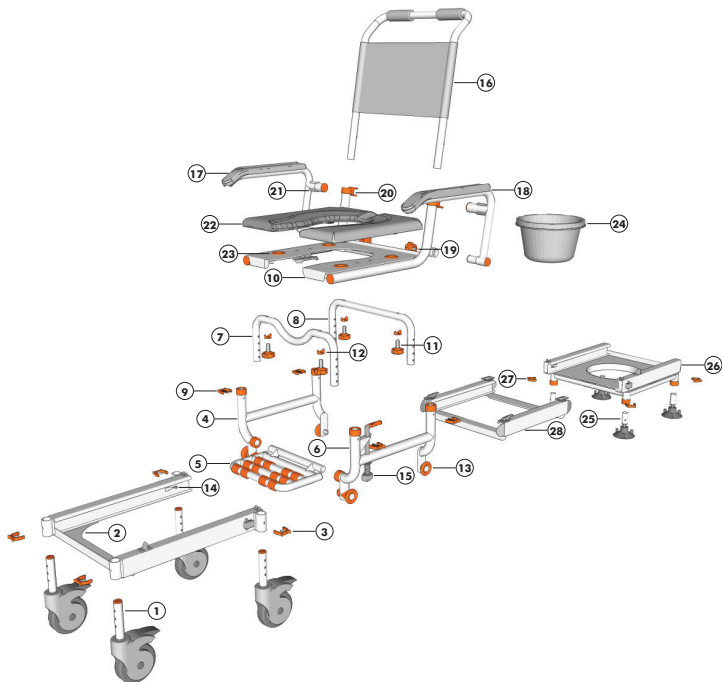
**showerbuddy™**  
elimination through innovation



**contents**

<b>Exploded Parts</b> .....	<b>3</b>
<b>Parts List</b> .....	<b>4</b>
<b>Securing Clip Sizes</b> .....	<b>4</b>
<b>ShowerBuddy Assembly</b> .....	<b>5</b>
<b>ShowerBuddy Setup</b> .....	<b>12</b>
<b>ShowerBuddy Operation</b> .....	<b>16</b>
<b>Cleaning + Maintenance</b> .....	<b>21</b>
<b>Safety Information</b> .....	<b>22</b>
<b>Warranty Information</b> .....	<b>25</b>
<b>Registration Form</b> .....	<b>28</b>

exploded parts



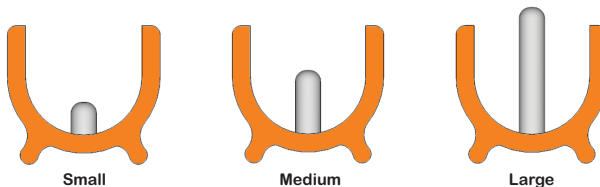
## parts list

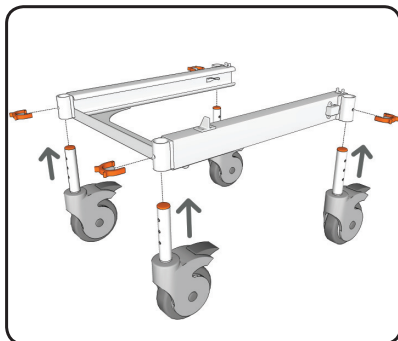
See the exploded chair image for the location of parts.

- |                                  |                         |
|----------------------------------|-------------------------|
| ① 5" Castor Wheel                | ⑮ Primary Brake         |
| ② Wheeled Track                  | ⑯ Back Rest             |
| ③ Securing Clip (Medium)         | ⑰ Arm Rest (Right)      |
| ④ Base Leg (Right)               | ⑱ Arm Rest (Left)       |
| ⑤ Footrest                       | ⑲ Arm Rest Knob         |
| ⑥ Base Leg (Left)                | ⑳ Arm Rest Clip         |
| ⑦ Height Adjustment Tube (Front) | ㉑ Arm Rest Lock         |
| ⑧ Height Adjustment Tube (Rear)  | ㉒ Cushion               |
| ⑨ Securing Clip (Large)          | ㉓ Cushion Connector     |
| ⑩ Seat Base                      | ㉔ Commode Bucket        |
| ⑪ Fixing Knob                    | ㉕ Suction Cups          |
| ⑫ Tube Washer                    | ㉖ Shower Track          |
| ⑬ Track Wheels                   | ㉗ Securing Clip (Small) |
| ⑭ Secondary Brake                | ㉘ Bridge                |

## securing clip sizes

Use the images below as a reference to check the provided securing clips to ensure that the correct size is used where required.





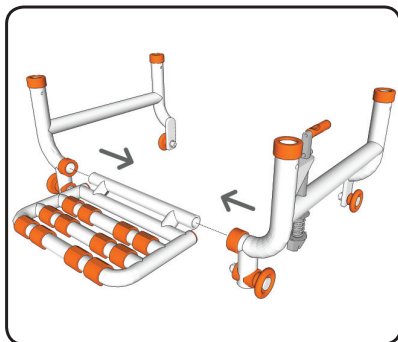
## step 1 **assembly**

Insert each 5" castor wheel into the wheeled track.

Secure each castor wheel at the required height using 1 medium securing clip.

### NOTE

- Each height adjustment hole raises the wheeled track 1".
- Check to ensure all securing clips are fully inserted.
- Ensure all castor wheels are aligned at the same height.



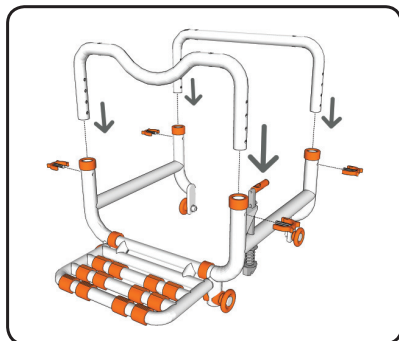
## step 2

Holding the right hand side base leg, slide the footrest approximately 3/4" into the base leg.

Repeat for the left hand side base leg.

### NOTE

- Do not insert the footrest to far into the base legs as this distance may need to be adjusted slightly in the next step.



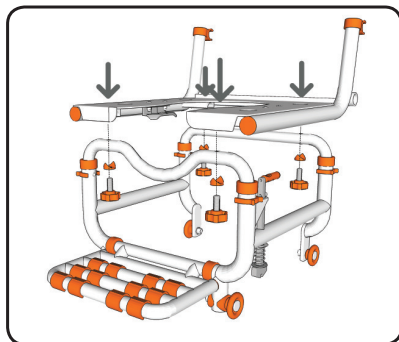
## step 3

Insert both height adjustment tubes into the base legs. The height adjustment tube with the 'U' bend should be inserted into the front.

Secure both height adjustment tubes at the required height using 1 large securing clip on each base leg.

### NOTE

- Each height adjustment hole raises the seat base 1".
- Check to ensure all securing clips are fully inserted.
- Ensure both height adjustment tubes are aligned at the same height.

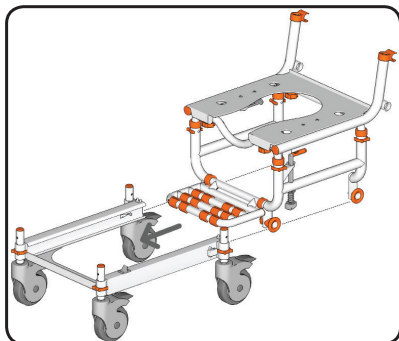


## step 4

Using the grooves on the underside of the seat base as a guide, place the seat base onto the height adjustment tubes.

Position the seat base on the height adjustment tubes so that the 4 threaded holes on the seat base are aligned with the 4 holes on the top of the height adjustment tubes.

Secure the seat base in position by screwing 1 large fixing knob and tube washer through each of the 4 holes in the height adjustment tubes and into the threaded holes on the seat base.

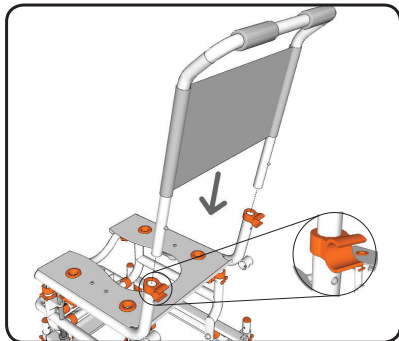


## step 5

With the wheeled base track assembled on a flat surface apply the brakes on the 4 castor wheels.

Slide the assembled seat into the wheeled track by aligning the track wheels with the grooves in the track. When inserting the assembled seat into the track there will be 4 clicks as the track wheels pass the secondary brakes.

Slide the chair forward until the primary brake secures the chair in position.



## step 6

Insert the back rest into the seat base.

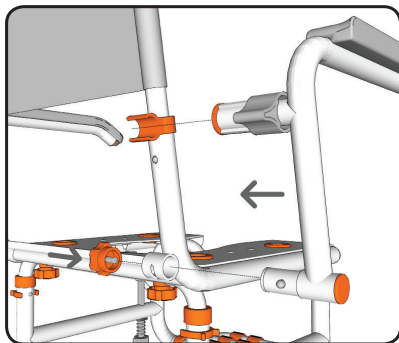
Slide the back rest into the seat base until the clip pins click into the holes on the seat base.

The clip pins secure the chair back frame in position.

### NOTE

- To remove the seat back press the clip pins in and slide the seat back out of the seat base.





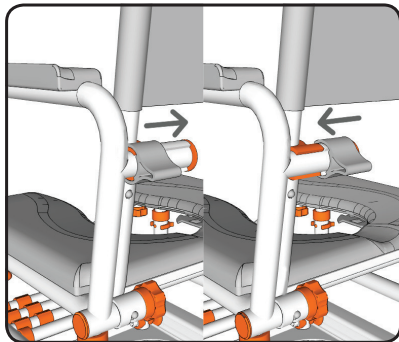
## step 7

Insert the arm rests into the sockets on the seat base until the clip pin clicks and locates the arm rests in position.

Screw the arm rest knob into the arm rest to firmly secure the arm rest in position.

Swing the arm rest forward so that it locks into position in the arm rest clip.

Slide the arm rest lock over the arm rest clip to lock the arm rest in position.



## step 8

By sliding the armrest lock you can easily swing the armrest out of the way or secure the armrest in position.

To unlock the armrest slide the armrest lock away from the armrest.

To lock the armrest slide the armrest lock towards the armrest.

### NOTE

- The armrest locks should always be used when the armrests aren't in the swing-away position.

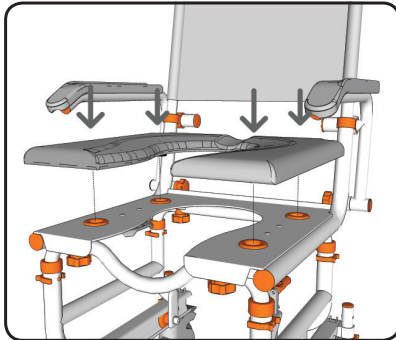


## step 9

The armrests can be easily swung-away when required.

Unlock the armrest by sliding the armrest lock away from the armrest. Once this is done the armrest can be swung away. The clip pin which secures the armrest in position stops the armrest from rotating to far.

**NOTE** - The armrest locks should always be used when the armrests aren't in the swing-away position.



## step 10

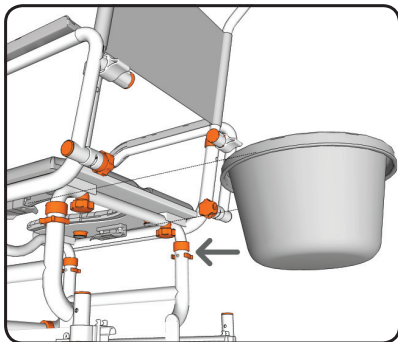
Ensuring the correct orientation attach the seat cushion to the seat base by pushing the 4 locating lugs on the underside of the cushion into the cushion connectors on the seat base.

Firmly press the cushion into position so that the 4 locating lugs are securely located in the cushion connectors.

**NOTE**

- To remove the cushion, carefully remove one lug at a time from the connectors until all 4 locating lugs are removed.

## SB1 ShowerBuddy

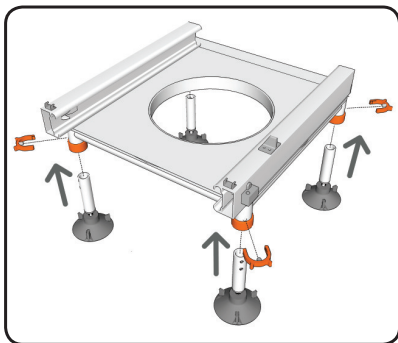


### step 11

Rotate the chair so that you have easy access to the underside of the seat base.

From the back of the chair slide the commode bucket into the 2 brackets on the underside of the seat base.

Ensure the commode bucket is pushed in far enough that the brackets securely hold the commode bucket in position. The commode bucket should be centred under the opening in the cushion.



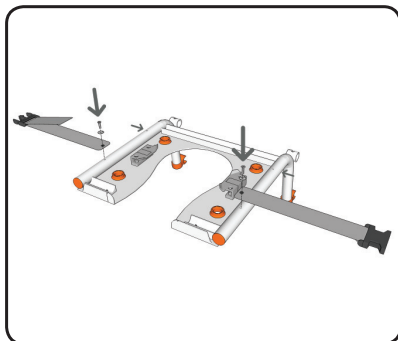
### step 12

Insert the suction cups into the shower track.

Secure each suction cup at the required height using 1 small securing clip.

#### NOTE

- Each height adjustment hole raises the shower track 1".
- Check to ensure all securing clips are fully inserted.
- Ensure all suction cups are aligned at the same height.



## step 13

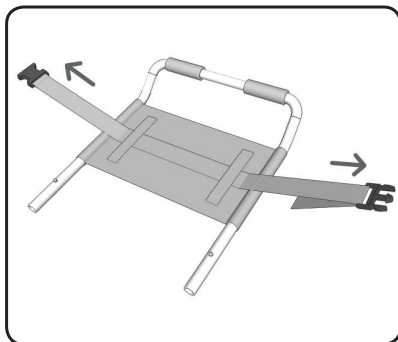
On the underside of the seat base there are 4 attachment points for the lap belt.

Unscrew the provided screws and washers from the front attachment points on the underside of the seat base.

Choose the attachment points you prefer for your lap belt.

Slide the washer onto the screw and then insert through the hole in the lap belt.

Screw the lap belt securely into position.



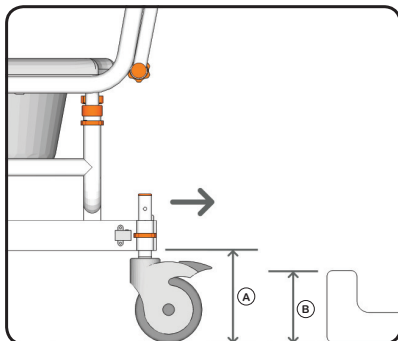
## step 14

To attach the chest belt rotate the chair so that you have easy access to the back of the back rest.

Slide the chest belt through the 2 attachment loops on the back rest.

Before use adjust the length of the chest belt to suit the user.

## step 1



Align the back of your chair with the threshold of your shower.

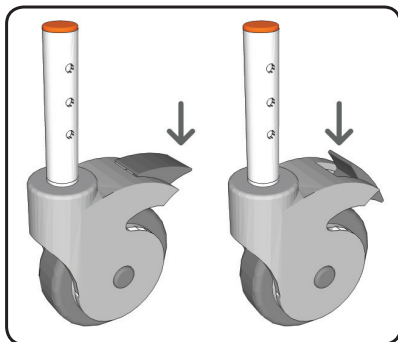
Check to ensure that the height of the bottom of the wheeled track (A) is higher than the shower threshold (B).

If required the height of the wheeled track can be raised or lowered depending on the shower threshold height.

### NOTE

- Each height adjustment hole raises the wheeled track 1".

## step 2



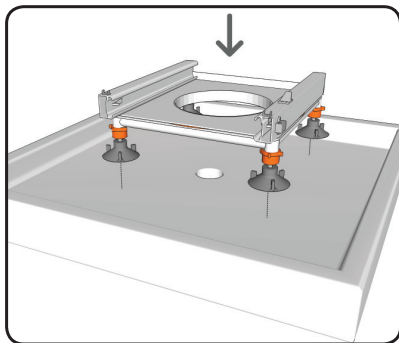
To lock the castor wheels press down firmly on the end of brake with your foot. This will lock the castor so that it will not move or rotate.

To unlock the castor wheels press down firmly on the front of the brake with your foot. This will allow the castor to move freely again.

### NOTE

- The castor wheels should always be locked when performing transfers. The castor wheels can be rotated forward to make the chair more stable.

## SB1 ShowerBuddy



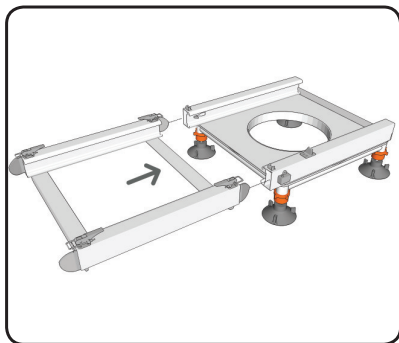
### step 3

Place the shower base into your shower stall.

Firmly press downwards on the shower base to ensure the suction cups securely hold the shower base in position.

#### NOTE

- When positioning the shower base ensure it is located so there is enough room to allow the chair to rotate freely. Ensure the position of the shower base allows the chair to transfer without hitting the shower door or any other obstructions.



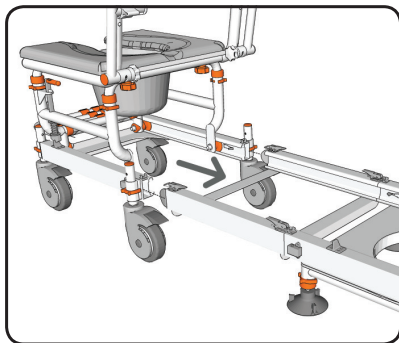
### step 4

Align the bridge with the shower base and insert the tongues into the shower base.

Firmly push the tongues on the bridge into the shower base so the secondary brakes are pushed out of the way.

Secure the bridge to the shower base using the 2 latches on the top of the bridge track.

## SB1 ShowerBuddy

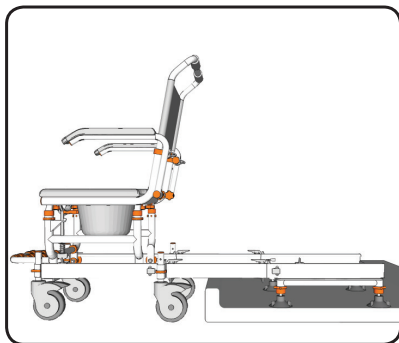


### step 5

Align the back of your chair with the bridge which is connected to the shower base.

Firmly push the wheeled base onto the tongues on the bridge so the secondary brakes are pushed out of the way.

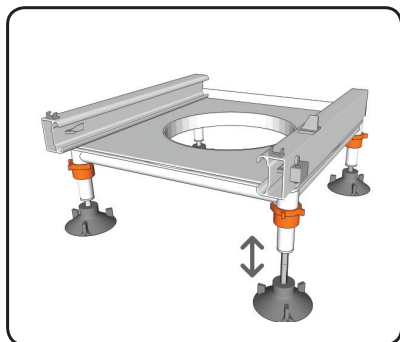
Secure the bridge to the wheeled base using the 2 latches on the top of the bridge track.



### step 6

The wheeled base, bridge and shower base should now be securely connected together using the latches.

Before continuing with the setup it is important to ensure that the tracks are level horizontally.



## step 7

If the tracks are not level horizontally, adjust the height of the shower base until the tracks are level.

To do this screw the thread on the suction cups up or down depending on which way the height needs to be adjusted.





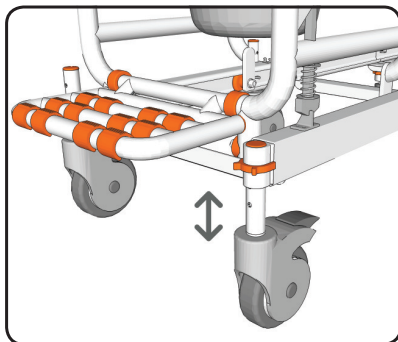
## step 1 **operation**

Wheel your Showerbuddy to your shower.

Securely attach the bridge to the shower base using the latches. Next securely attach the bridge to the wheeled base using the latches.

### NOTE

- Ensure all latches securely 'snap' into the locked position. Ensure you lock all castor wheels before beginning the transfer.
- Never attach the bridge to the wheeled base without the shower base also attached.



## step 2

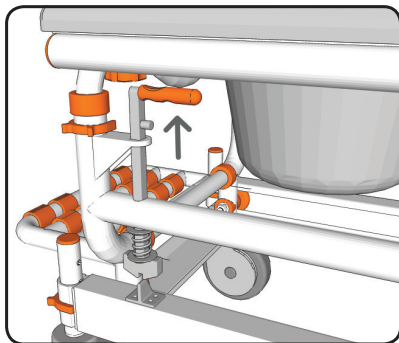
If the bottom of the wheeled track needs to be raised to clear the shower threshold adjust the height of the castors.

To do this remove the medium securing clips from each castor. Adjust the height of the wheeled base to the required height and replace the medium securing clips.

### NOTE

- Each height adjustment hole raises the wheeled track 1".
- Check to ensure all securing clips are fully inserted.
- Ensure all castor wheels are aligned at the same height.

## SB1 ShowerBuddy

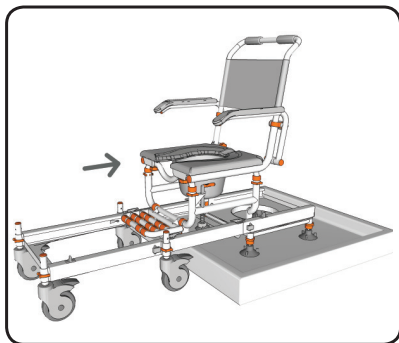


### step 3

With your Showerbuddy assembled you are now ready to transfer the chair into the shower.

Lift and hold the primary brake lever located on the left side of your Showerbuddy to release the chair.

Once the chair has begun transferring you can release the primary brake lever. The lever will drop back into the correct position.

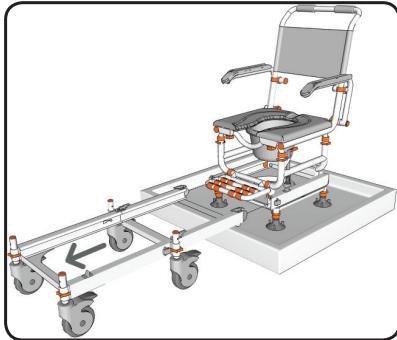


### step 4

Transfer your Showerbuddy from the wheeled base onto the shower base.

Ensure the chair is transferred all the way onto the shower base and primary brake clicks to secure the chair in position.

## SB1 ShowerBuddy



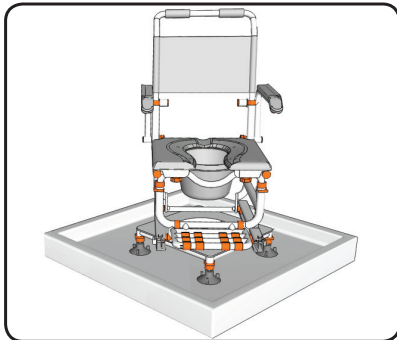
### step 5

With your Showerbuddy secured in position on the shower base remove the bridge and wheeled base.

Release the latches which connect the bridge to the shower base and roll the wheeled base and bridge away. If space is limited release the latches on the bridge to remove the bridge from the wheeled base.

#### NOTE

- Never attach the bridge to the shower base without the wheeled base attached.



### step 6

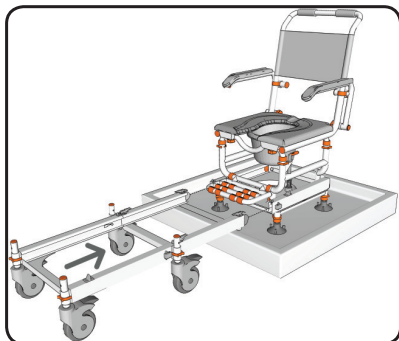
Once the transfer to the shower base is complete and the chair is secured in position you can rotate your Showerbuddy.

Hold the seat back and the front of the cushion and push to rotate the chair on the shower base.

#### NOTE

- The chair will rotate a lot easier once the shower base is wet.

## SB1 ShowerBuddy



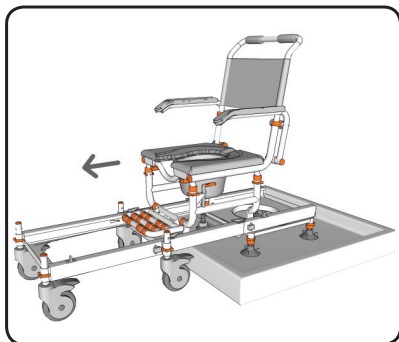
### step 7

Rotate the chair so that you can connect the bridge to transfer your Showerbuddy back to the shower base.

Reconnect the bridge to the shower base and secure in position with the latches. Reconnect the wheeled base to the bridge and secure in position with the latches.

#### NOTE

- Ensure all latches securely 'snap' into the locked position.
- Ensure you lock all castor wheels before beginning the transfer.
- Never attach the bridge to the shower base without the wheeled base attached.



### step 8

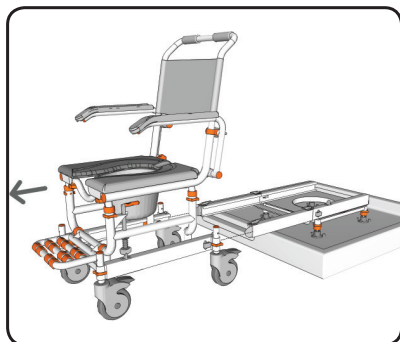
Transfer your Showerbuddy from the shower base onto the wheeled base.

Ensure the chair is transferred all the way onto the wheeled base and primary brake clicks to secure the chair in position.

#### NOTE

- Ensure all latches securely 'snap' into the locked position.
- Ensure you lock all castor wheels before beginning the transfer.

SB1 ShowerBuddy



## step 9

Ensure the primary brake securely locks your Showerbuddy in position on the wheeled base before disconnecting the bridge.

Unlock the brakes on the castor wheels. Release the latches which connect the bridge to the wheeled base and roll the wheeled base away.

## cleaning + maintenance

It is recommended that your shower chair is serviced annually by your Showerbuddy Dealer or an authorised, competent service agent, in addition:

1. Regularly inspect all parts of the chair for defects. Any defective part should be removed promptly.
2. Clean the seat using a damp cloth and a mild cleanser. Always read the manufacturers instructions prior to applying the cleanser.

When using Sodium Hypochlorite (Bleach) on the seat, a solution of 0.1% Sodium Hypochlorite should have no adverse effects on the cleaning of chairs. However, when using a solution of 1.0%, care should be taken to rinse the chairs thoroughly with clean water after application. Over a period of time bleaching may occur, but the integrity of the product will remain unaffected.

3. Dry off the shower chair after use.
4. Do not oil or grease any parts.
5. Keep the castors free from lime scale, soap residue and hair by cleaning after use in the shower.

Caring for stainless steel.

Stainless steel has excellent corrosion resistance, but it is not stain or rust proof. Regular maintenance will keep stainless steel clean and free of contaminants. In most applications stainless steel will not rust or stain even after many years of service, but when used in certain environments such as concentrated chlorine or other corrosive elements stainless steel requires proper care and maintenance. Do not leave stainless in contact with iron, steel or other metals.

1. Clean stainless steel frequently with soap and water. Any cleaner safe for glass is usually safe for stainless steel; apply with a cotton cloth.
2. Use a coating such as a good wax to help safeguard the stainless steel.
3. Remove discolouration or rust spots as soon as possible with a brass, silver or chrome cleaner. Irreversible pitting will develop under rust that remains on stainless steel for any period of time. Apply a mild cleanser such as Ajax or an equivalent with a wet cotton cloth in the direction of the grain of the finish. Rinse thoroughly and wipe dry. Do not use abrasives such as sandpaper or steel wool on stainless steel.
4. Do not clean with mineral acids or bleaches.
5. Do not store near any chlorine product.

## safety instructions

### Safety Warning!

**Failure to comply with these safety instructions may result in injury or damage!**

It is important that the user(s), and/or the caregivers of the user(s), learn how to safely operate the Showerbuddy shower chair.

The following must be read before use of the Showerbuddy shower chair to ensure the safe operation of your Showerbuddy shower chair:

The Owner(s) Manual must be read and understood before using the Showerbuddy shower chair. If you don't understand any parts of the Owner(s) Manual, clarification should be sought prior to using the product.

For further clarification of any part of the Showerbuddy Owner(s) Manual call your local dealer or visit the website below.

[www.myshowerbuddy.com](http://www.myshowerbuddy.com)

Transfers to and from the Showerbuddy shower chair can be dangerous. Consult a physical or occupational therapist to ensure safe and reliable transfer techniques are practiced. Individuals who have not learned these skills must have assistance during transfers.

Do not use the Showerbuddy shower chair for any application outside of the manufacturers intended use, this can result in damage to the shower chair and components. Not complying with the manufacturer's instructions can result in injury to the user(s) or caregiver. Showerbuddy will not be held responsible for any injury or damage resulting from the misuse or inappropriate operation of the Showerbuddy shower chair.

If any part of the Showerbuddy shower chair requires maintenance please don't hesitate to contact your dealer. Any problems that could affect the safe operation of the chair **MUST** be attended to immediately.

### Safety instructions:

The **MAXIMUM** weight of any Showerbuddy shower chair user(s) is: 300lbs (140kg)

**ALWAYS** ensure that your Showerbuddy shower chair is capable of maneuvering over the surfaces that will be encountered during day to day use, prior to operating the shower chair with any user(s).

## SB1 ShowerBuddy

**ALWAYS** lock the Showerbuddy shower chair 5" castor wheels when the chair is stationary. To do this step-on the levers which activates the wheel locks.

**DO NOT** lean forward or sideways out of the Showerbuddy shower chair as this may cause the chair to tip.

**DO NOT** wheel the Showerbuddy shower chair down an incline without a caregiver who can control the chair during its descent.

**DO NOT** use the Showerbuddy shower chair castor wheel locks as brakes when travelling down inclines.

**DO NOT** position the Showerbuddy shower chair sideways on a slope as this could cause it to tip.

### **Important!**

Although every effort has been made by the Showerbuddy team to ensure the stability of the Showerbuddy shower chairs during use, it is important to recognize that the most dangerous part of using any shower chair is the transfer. If you are unsure of how to perform transfers in a way that can be repeatedly performed safely, then contact a physical or occupational therapist who is familiar with transfer techniques and options.

The wheel locks on the castors are designed to prevent the castor wheels from rotating when the shower chair is stationary in use. These **DO NOT** and **CANNOT** prevent the wheels from sliding if the floor is slippery. A slippery floor can be caused by dust, water, soap or any substance that doesn't allow the tires (tyres) to grip. Transfers should never be attempted with the Showerbuddy shower chair positioned on slippery surfaces since the wheel locks can only prevent the wheels from rotating. It is recommended that transfers be performed on clean, dry non slippery surfaces.

**Transferring onto a Showerbuddy Shower Chair** – always lock all castors in their outward position (front castors positioned in the forward and out position / rear castors positioned to the rearward and out position) for maximum chair stability.

Never use the foot rests to assist with transfers. This could cause the chair to tip forward. The footrests should be swung away or removed entirely during transfers to provide unobstructed access to the shower chair.

The fasteners – the nuts, bolts, washers – should be checked periodically to ensure that they are securely fastened. All nuts used on your Showerbuddy shower chair are lock nuts. Lock nuts that are removed for any reason should be replaced rather than re-used. Your dealer should be called to check the fasteners and other components at least once per year.



## SB1 ShowerBuddy

All Showerbuddy shower chairs are supplied with chest and lap restraining straps which ensure the correct and safe operation of the shower chair for both the user(s) and the caregiver. It is important that these straps are used every time the shower chair is operated. Your Showerbuddy shower chair is equipped with fitting points so that these can be easily and effortlessly attached.

### **Important!**

#### **ADJUSTMENTS SHOULD NEVER BE ATTEMPTED WITH THE USER(S) IN THE CHAIR!**

Your authorized Showerbuddy dealer can help you with any adjustments you may want to make on your Showerbuddy shower chair or can provide clarification on any of the information contained herein.

All castor wheel shafts must be adjusted to the same height. Never attempt to change the frame angle by changing the castor position. If the castor wheels are uneven this will cause the chair's stability to be compromised and may result in tipping.

## warranty information

### 2 Year Limited Warranty

Showerbuddy warrants our Showerbuddy Transfer Systems and all Showerbuddy products for two years from the date of purchase by the consumer. The warranty will only become active once the consumer submits the warranty registration card to the company with a copy of the purchase receipt. This warranty covers any defects in materials and workmanship on all Showerbuddy products except those listed in the Warranty Exclusion below:

#### Warranty Exclusions

- Product or parts failure from normal wear and tear
- Damage caused by failure to adhere to the Owner's Manual
- Damage from improper installation, use or repair
- Brake line that operates the handbrake / tilt mechanism on tilting chairs (SB2T and SB3T)
- Improper use of the hand ratchet that is used in adjusting the neck support / adjustment
- Seat cushions and arm rests

#### Limitations

- The warranty is VOID if the original serial number tag is removed or altered
- The warranty is VOID if the unit sustains damage from unnatural causes
- The warranty is VOID if the unit is used to hold more than the weight limit of 300 pounds (140kg)
- The warranty is VOID if the unit has been subjected to neglect, improper maintenance, storage, cleaning or operation as defined in the Owner's Manual
- The warranty is VOID if the unit is modified without Showerbuddy's written consent
- This warranty applies to the original purchaser only, from the date of the purchase, provided a registration card has been submitted to the company within 60 days of purchase.

#### Your Responsibilities

- If your unit requires warranty service, please contact the dealer from which you purchased the Showerbuddy unit.
- If you do not receive satisfactory dealer service, contact Showerbuddy at the address below.
- Do not return the unit to Showerbuddy without first obtaining a Return Authorization Number from Customer Service
- A defective unit must be shipped to Showerbuddy within 14 days of issuance of a Return Authorization Number by Customer Service

## SB1 ShowerBuddy

### Our Responsibilities

- Showerbuddy's sole responsibility is to repair or replace, at our discretion, the covered components of the unit. This is the exclusive remedy for consequential or incidental damages.
- Upon pre-approval, Showerbuddy may provide exchange services for Warranty returns. Under this program, a refurbished Showerbuddy unit may be shipped after the return of the defective unit. The exchange unit may contain used parts that meet Showerbuddy quality standards. This program is provided at the sole discretion of Showerbuddy. The original warranty term will not be extended due to such a unit exchange and a return unit will become the property of Showerbuddy.

#### For all USA & Canada Warranties

#### Warranties for all Other Countries

Register online at <http://www.myshowerbuddy.com/resources/register>

Or you can fax or email it to us.

Or you can fax or email it to us.

**Showerbuddy**  
12420 Montague St., Unit #D  
Pacoima, CA 91331  
U.S.A  
Email: [info@myshowerbuddy.com](mailto:info@myshowerbuddy.com)  
Phone: (877) 7MY-BUDDY (769-2833)  
Fax: (888) 312-3645

**Showerbuddy Global Limited**  
110 Rimu Road  
Paraparaumu 5032  
New Zealand  
Email: [info@showerbuddy.co.nz](mailto:info@showerbuddy.co.nz)  
Phone: (+64) 4 904-4183  
Fax: (+64) 4 904-4184



SB1 ShowerBuddy



# registration form

**Register your Showerbuddy**  
Thank you for purchasing a Showerbuddy product!!

## About You

Salutation

Name

First

Last

Your Date of Birth

Month

Day

Year

Address

Street Address

City

State / Province

Zip / Postal Code

Country

Phone

Email

## About Your Product

Type of Product Purchased

Serial Number of Product

Under the Seat

Name of Dealer You Purchased From



page 28

SB1 ShowerBuddy

Please send your completed Registration Form to one of the addresses below.

For all USA & Canada Warranties

Warranties for all Other Countries

Register online at <http://www.myshowerbuddy.com/resources/register>

Or you can fax or email it to us.

Or you can fax or email it to us.

Showerbuddy  
12420 Montague St., Unit #D  
Pacoima, CA 91331  
U.S.A  
Email: [info@myshowerbuddy.com](mailto:info@myshowerbuddy.com)  
Phone: (877) 7MY-BUDDY (769-2833)  
Fax: (888) 312-3645

Showerbuddy Global Limited  
110 Rimu Road  
Paraparaumu 5032  
New Zealand  
Email: [info@showerbuddy.co.nz](mailto:info@showerbuddy.co.nz)  
Phone: (+64) 4 904-4183  
Fax: (+64) 4 904-4184

page 29





### USA & Canada Enquires

Showerbuddy  
12420 Montague St., Unit #D  
Pacoima, CA 91331  
U.S.A  
Email: [info@myshowerbuddy.com](mailto:info@myshowerbuddy.com)  
Phone: (877) 7MY-BUDDY (769-2833)  
Fax: (888) 312-3645

### All Other Enquires

Showerbuddy Global Limited  
110 Rimu Road  
Paraparaumu 5032  
New Zealand  
Email: [info@showerbuddy.co.nz](mailto:info@showerbuddy.co.nz)  
Phone: (+64) 4 904-4183  
Fax: (+64) 4 904-4184

[www.myshowerbuddy.com](http://www.myshowerbuddy.com)



Copyright © 2009 by Showerbuddy Global Limited  
All rights reserved

No part of the contents of this manual may be reproduced, stored in a retrieval system or transmitted in any form or by any means, electronic, mechanical, photocopying, recording or otherwise, without the written permission of Showerbuddy Global Limited.